



# Single Tension Fitting

Home » Bolted Type » Single Tension Fitting

## Single Tension Bolted Hardware (For ACSR & AAAC Conductor)

Download Product details

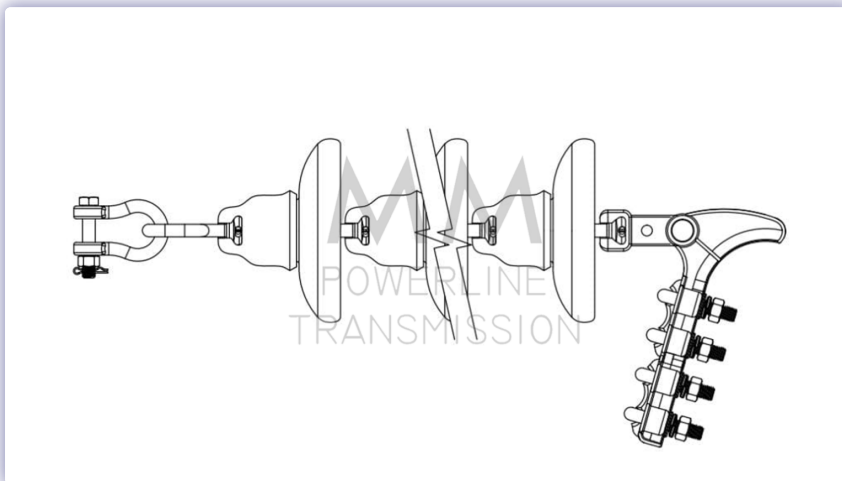
### Other Product Quick Link

- Lorem ipsum dolor sit amet, +
- Lorem ipsum dolor sit amet, +
- Lorem ipsum dolor sit amet, +
- Lorem ipsum dolor sit amet, +



MMPT have created a peculiar position in the market by manufacturing and supplying superior quality Tension Hardware.

Easy to use, Single Tension Hardware Fittings are light weight, provide optimum strength. Furthermore, Single Tension Hardware Fittings give long service life and are perfectly designed while keeping in mind the clients need and requirement.



SL. NO	DESCRIPTION	QTY	MATERIAL
1	ANCHOR SHACKLE	1 NOS	F.S, HDG
2	BALL LINK	1 NOS	F.S, HDG
3	SOCKET EYE	1 NOS	F.S, HDG
4	TENSION CLAMP	1 NOS	ALUMINIUM ALLOY
5	KEEPER	2 NOS	ALUMINIUM ALLOY
6	U-BOLT, NUT, ROUND & SP. WASHER	4 SETS	M.S., HDG
7	RIVET & ROUND WASHER	1 SETS	M.S., HDG
8	M16 HEX BOLT, NUT, ROUND & SP. WASHER	1 SETS	M.S., HDG
9	SPLIT PIN	2 NOS	S.S.
10	R-CLIP	2 NOS	S.S.

## TECHNICAL DATA

1. U.T.S. OF HARDWARE FITTING : 90 KN.
2. SLIP/MECHANICAL STRENGTH OF TENSION CLAMP : 95% OF UTS OF THE CONDUCTOR
3. BALL & SOCKET DESIGNATION : 16MM. AS PER I.S.: 2486, PART-II.
4. SPECN. TO WHICH H/W FITTING CONFORM – I.S.: 2486, PART-I.
5. SPECN. TO WHICH H/W FITTING CONFORM – I.S.: 2486, PART-I.
6. ALL FERROUS PARTS (EXCEPT SPRING WASHER) SHALL BE HOT DIP GALVANISED CONFORMING TO I.S.: 2633 AND SPRING WASHER ELECTRO GALVANISED CONFORMING TO IS:1573, SERVICE COND. III
7. GENERAL TOLERANCE :  $\pm 3\%$ .
8. ALL DIMENSION ARE IN MM.
9. TOLERANCE IN TOTAL LENGTH OF HARDWARE FITTING  $\pm 2\%$ .
10. ELECTRICAL RESISTANCE OF TENSION CLAMP – NOT MORE THAN 75% OF
11. MEASURED RESISTANCE OF EQUIVALENT LENGTH OF THE CONDUCTOR

## AVAILABLE FOR THE FOLLOWING CONDUCTORS

SL. NO	AAAC	CONDUCTOR DIA.	SL. NO	AAAC	CONDUCTOR DIA.
1	RACCOON	12.27	1	RABBIT	9.30
2	DOG	14.15	2	DOG	12.78
3	LEOPARD	15.84	3	PANTHER	19.70
4	COYOTE	15.86	4	PANTHER-UP	22.05
5	TIGER	16.52	5	YEW	25.97
6	WOLF	18.13	6	ZEBRA	28.00
7	ORIOLE	18.82	7	ZEBRA-UP	29.79



8	LYNX	19.53
9	LARK	20.47
10	PANTHER	21.00
11	LION	22.26
12	BEAR	23.45
13	GROSBEAK	25.16
14	TEAL	25.24
15	GOAT	25.97
16	ANTELOPE	26.73
17	KUNDAH	26.80
18	SHEEP	27.93
19	DRAKE	28.14
20	ZEBRA	28.62
21	DEER	29.89
22	CAMEL	30.15
23	ELK	31.50
24	MORKULLA	31.68
25	MOOSE	31.77
26	BERSIMIS	35.05

## Our Brands



### Contact Us

- Facebook
- Twitter
- LinkedIn

### Quick Links

- Home
- About Us
- Career
- Contact Us

### Address

Office : 2D,N.S.Road,shantinagar Colony,Compact Appt., Block-B,Flat-G001,Liluah,Howrah-711 204,West Bengal,India

Factory : 58,N.S.Road,Lilauh,Howrah – 711204,West Bengal,India

+91 8961536500

sales@mmpt.in

