



SINGLE SUSPENSION AGS TYPE

Home » Suspension » AGS Type » Single Suspension AGS Type

SINGLE SUSPENSION AGS TYPE

[Download Product details](#)

Other Product Quick Link

- [Single AGS Type](#) +
- [Double AGS Type](#) +

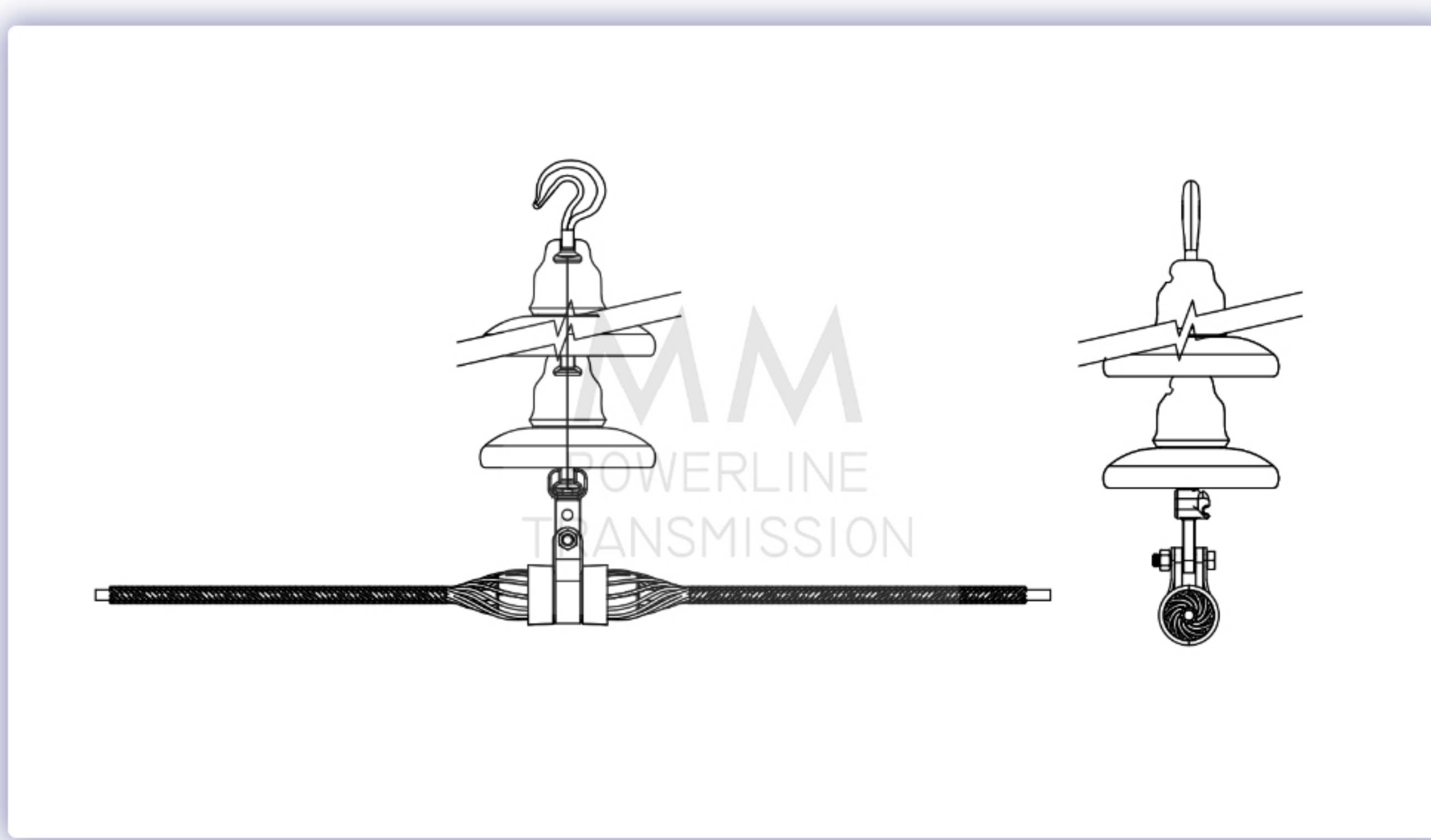


MMPT have created an identifiable position in the market by manufacturing and supplying superior quality Suspension Hardware.

The main purpose of this hardware is to hang the conductor/cable to the insulator. The clamps help to link all other fittings and accessories to the tower arms. It promotes safety of the conductor/cable and people by preventing voltage leakage. It enhance the stability of the conductor by limiting their movement, especially against a strong wind, storms and other natural calamities.

Armor grip suspension also called AGS suspension clamp or preformed suspension clamp, offers a complete set of Aluminum clad, rubber, armor grip, bolt, and nut to support and protect the ADSS/OPGW cable from damage due to bending. It is designed to reduce the static and dynamic stresses at the support point so that the conductor or strand remains undamaged against the effects of oscillations.

MMPT Armor grip suspension can be custom manufactured with different wire numbers, a wide range of cable sizes, wire raw material, and armor grip suspension design options to exactly match the grip strength, span, and cable type requirements.



BOM

SL. NO	DESCRIPTION	MATERIAL	QTY./SET
1	BALL HOOK	F.S., HDG	1 NOS
2	SOCKET EYE	F.S., HDG	1 NOS
3	SUSPENSION CLAMP AGS TYPE	AL. ALLOY	1 NOS
4	M16 HEX BOLT, NUT, ROUND & SP. WASHER	M.S., HDG	1 SET
5	SPLIT PIN	S.S.	1 NOS
6	R-CLIP	S.S.	1 NOS

TECHNICAL DATA

- ALL DIMENSIONS ARE IN MM.
- GENERAL TOLERANCE $\pm 3\%$
- U.T.S. OF HARDWARE FITTING : 90 KN.
- U.T.S. OF SUSPENSION CLAMP – 70 KN.
- SLIP STRENGTH OF SUSPENSION CLAMP : 8% TO 15% UTS OF CONDUCTOR.
- BALL & SOCKET DESIGNATION : 16MM & 16MM "B" AS PER IS : 2486, PART-II.
- SPECIFICATION TO WHICH H/W FITTING CONFORM – IS : 2486, PART-I.
- ALL FERROUS PARTS (EXCEPT SPRING WASHER) SHALL BE HOT DIP GALVANISED CONFORMING TO IS : 2633 AND SPRING WASHER ELECTRO GALVANISED CONFORMING TO IS : 1573, SERVICE COND. III.
- TOLERANCE IN TOTAL LENGTH OF HARDWARE FITTING $\pm 2\%$.
- MAGNETIC POWER LOSS AT 500A PER SUSPENSION CLAMP – 1Watt (MAX.)

AVAILABLE FOR THE FOLLOWING CONDUCTORS

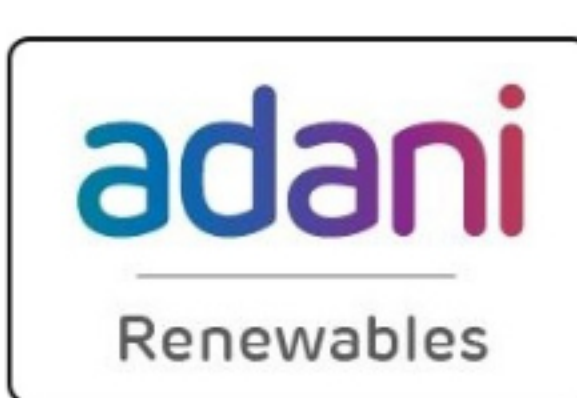
For ACSR

SL. NO	ACSR CODE	CONDUCTOR DIA.
1	RACCOON	12.27
2	DOG	14.15
3	LEOPARD	15.84
4	COYOTE	15.86
5	TIGER	16.52
6	WOLF	18.13
7	ORIOLE	18.82
8	LYNX	19.53
9	LARK	20.47
10	PANTHER	21.00
11	LION	22.26
12	BEAR	23.45
13	GROSBEAK	25.16
14	TEAL	25.24
15	GOAT	25.97
16	ANTELOPE	26.73
17	KUNDAH	26.80
18	SHEEP	27.93
19	DRAKE	28.14
20	ZEBRA	28.62
21	DEER	29.89
22	CAMEL	30.15
23	ELK	31.50
24	MORKULLA	31.68
25	MOOSE	31.77
26	BERSIMIS	35.05

For AAAC

SL. NO	AAAC CODE	CONDUCTOR DIA.
1	RABBIT	9.30
2	DOG	12.78
3	PANTHER	19.70
4	PANTHER-UP	22.05
5	YEW	25.97
6	ZEBRA	28.00
7	ZEBRA-UP	29.79

Our Brands



Contact Us

- [Facebook](#)
- [Twitter](#)
- [Linkedin](#)

Quick Links

- [Home](#)
- [About Us](#)
- [Career](#)
- [Contact Us](#)

Address

Office : 2D.N.S.Road,shantinagar Colony,Compact Appt., Block-B,Flat-G001,Liluah,Howrah-711 204,West Bengal,India

Factory : 58,N.S.Road,Lilauh,Howrah – 711204,West Bengal,India

+91 8961536500

sales@mmpt.in

