



Single Tension Bolted Hardware

Home » HARDWARE » Bolted Type Hardware » Single Tension Bolted hardware

Single Tension Bolted Hardware

[Download Product details](#)

Other Product Quick Link

- Single Tension Bolted +
- Double Tension Bolted +

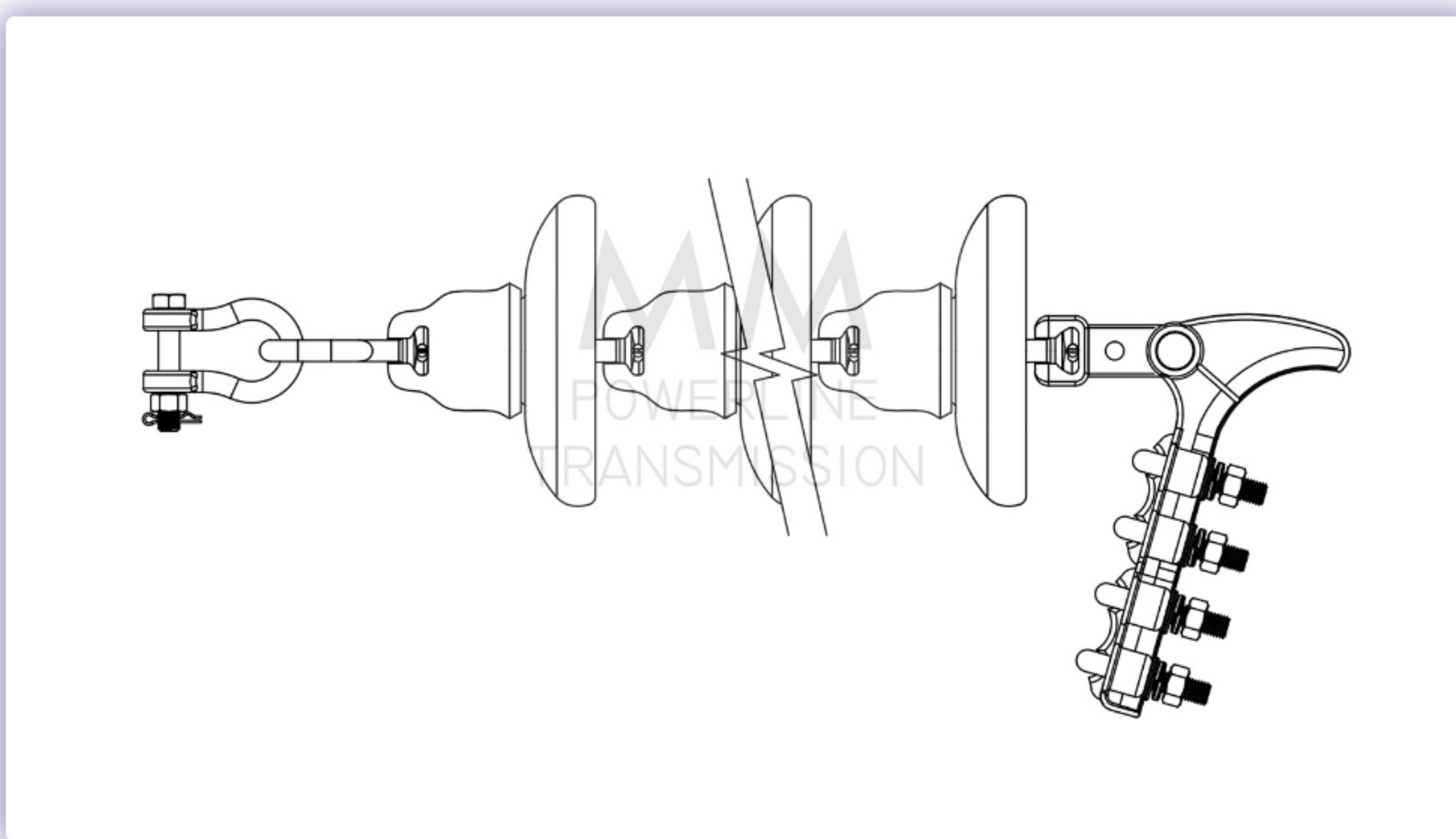


MMPT have created a peculiar position in the market by manufacturing and supplying superior quality Tension Hardware.

Easy to use, Single Tension Hardware Fittings are lightweight, provide optimum strength.

Furthermore, Single Tension Hardware Fittings give long service life and are perfectly designed while keeping in mind the client's need and requirement.

Single bolted tension hardware are used for completing the tensional connection on conductor/cables. It provide the mechanical support/strength to insulators & conductors.



BOM

SL. NO	DESCRIPTION	QTY	MATERIAL
1	ANCHOR SHACKLE	1 NOS	F.S, HDG
2	BALL LINK	1 NOS	F.S, HDG
3	SOCKET EYE	1 NOS	F.S, HDG
4	TENSION CLAMP	1 NOS	ALUMINIUM ALLOY
5	KEEPER	2 NOS	ALUMINIUM ALLOY
6	U-BOLT, NUT, ROUND & SP. WASHER	4 SETS	M.S., HDG
7	RIVET & ROUND WASHER	1 SETS	M.S., HDG
8	M16 HEX BOLT, NUT, ROUND & SP. WASHER	1 SETS	M.S., HDG
9	SPLIT PIN	2 NOS	S.S.
10	R-CLIP	2 NOS	S.S.

TECHNICAL DATA

- U.T.S. OF HARDWARE FITTING : 90 KN.
- SLIP/MECHANICAL STRENGTH OF TENSION CLAMP : 95% OF UTS OF THE CONDUCTOR
- BALL & SOCKET DESIGNATION : 16MM. AS PER I.S.: 2486, PART-II.
- SPECN. TO WHICH H/W FITTING CONFORM – I.S.: 2486, PART-I.
- ALL FERROUS PARTS (EXCEPT SPRING WASHER) SHALL BE HOT DIP GALVANISED CONFORMING TO IS : 2633 AND SPRING WASHER ELECTRO GALVANISED .
- GENERAL TOLERANCE: ±3% UNLESS OTHERWISE SPECIFIED.
- ALL DIMENSION ARE IN MM.
- TOLERANCE IN TOTAL LENGTH OF HARDWARE FITTING ±2%.
- ELECTRICAL RESISTANCE OF TENSION CLAMP – NOT MORE THAN 75% OF.
- MEASURED RESISTANCE OF EQUIVALENT LENGTH OF THE CONDUCTOR.

AVAILABLE FOR THE FOLLOWING CONDUCTORS

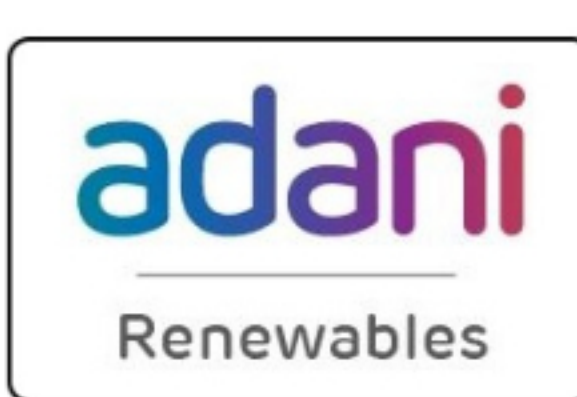
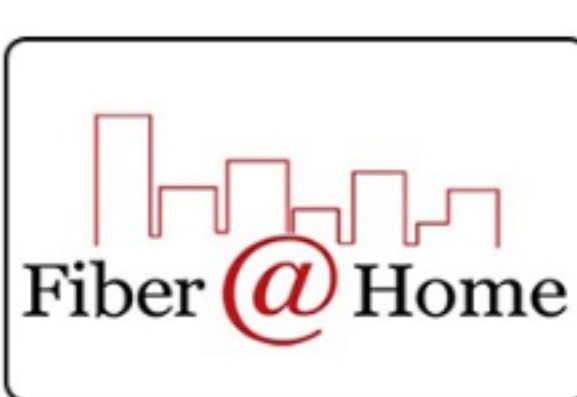
For ACSR

SL. NO	ACSR CODE	CONDUCTOR DIA.
1	RACCOON	12.27
2	DOG	14.15
3	LEOPARD	15.84
4	COYOTE	15.86
5	TIGER	16.52
6	WOLF	18.13
7	ORIOLE	18.82
8	LYNX	19.53
9	LARK	20.47
10	PANTHER	21.00
11	LION	22.26
12	BEAR	23.45
13	GROSBEAK	25.16
14	TEAL	25.24
15	GOAT	25.97
16	ANTELOPE	26.73
17	KUNDAH	26.80
18	SHEEP	27.93
19	DRAKE	28.14
20	ZEBRA	28.62
21	DEER	29.89
22	CAMEL	30.15
23	ELK	31.50
24	MORKULLA	31.68
25	MOOSE	31.77
26	BERSIMIS	35.05

For AAAC

SL. NO	AAAC CODE	CONDUCTOR DIA.
1	RABBIT	9.30
2	DOG	12.78
3	PANTHER	19.70
4	PANTHER-UP	22.05
5	YEW	25.97
6	ZEBRA	28.00
7	ZEBRA-UP	29.79

Our Brands



Contact Us

- [Facebook](#)
- [Twitter](#)
- [LinkedIn](#)

Quick Links

- [Home](#)
- [About Us](#)
- [Career](#)
- [Contact Us](#)

Address

Office : 2D,N.S.Road,zhantinagar Colony,Compact Appt., Block-B,Flat-G001,Liluah,Howrah-711 204,West Bengal,India

Factory : 58,N.S.Road,Liluah,Howrah – 711204,West Bengal,India

+91 8961536500

sales@mmpt.in

