



# Single Tension Compression Hardware With Both Side Rod Type Arcing Horn

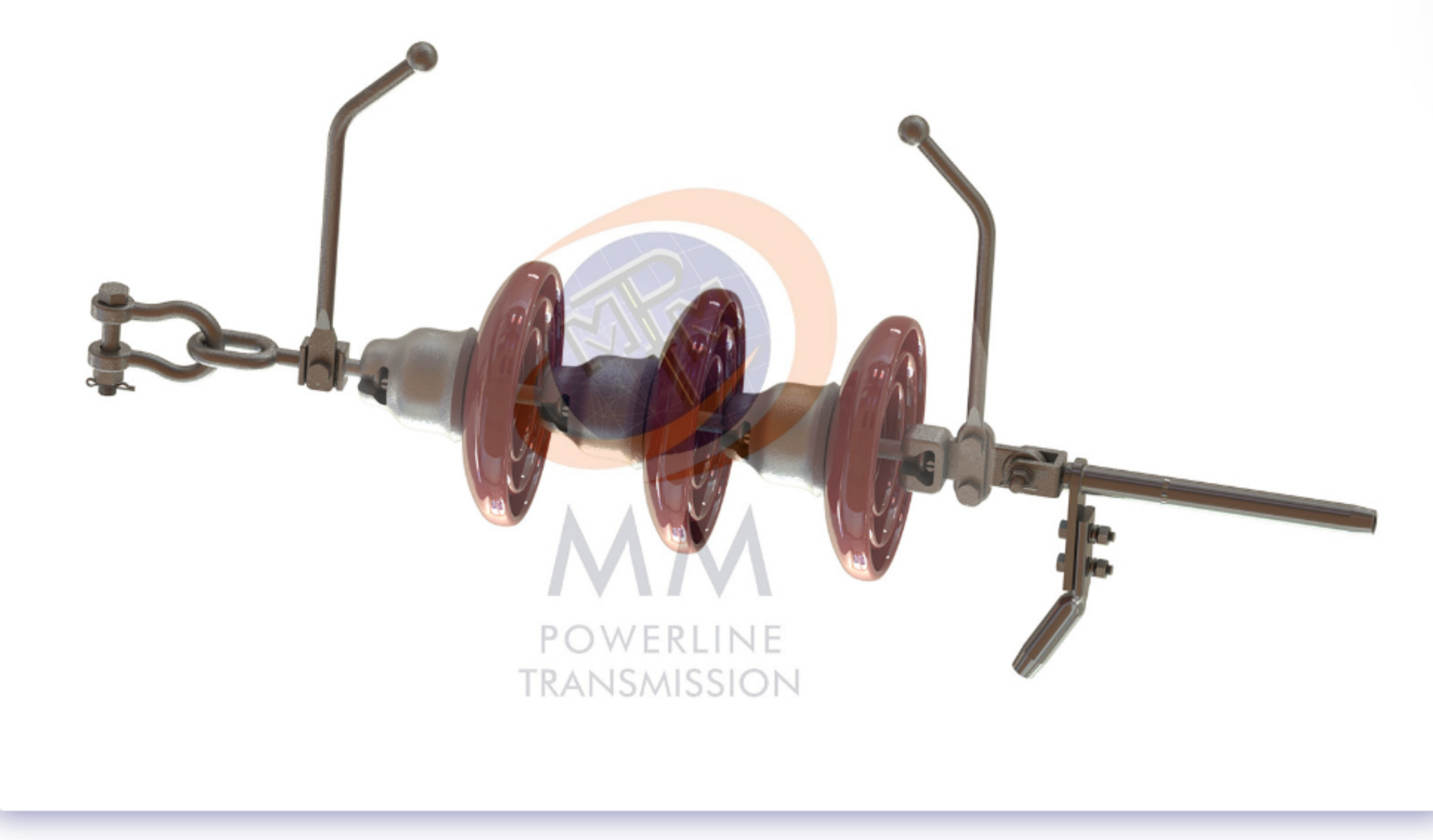
Home » Compression Hardware » [Single Tension Compression hardware with both side rod type arcing horn](#)

## Single Tension Compression Hardware With Both Side Rod Type Arcing Horn

[Download Product details](#)

### Other Product Quick Link

- [Single Tension Compression](#) +
- [Double Tension Compression](#) +



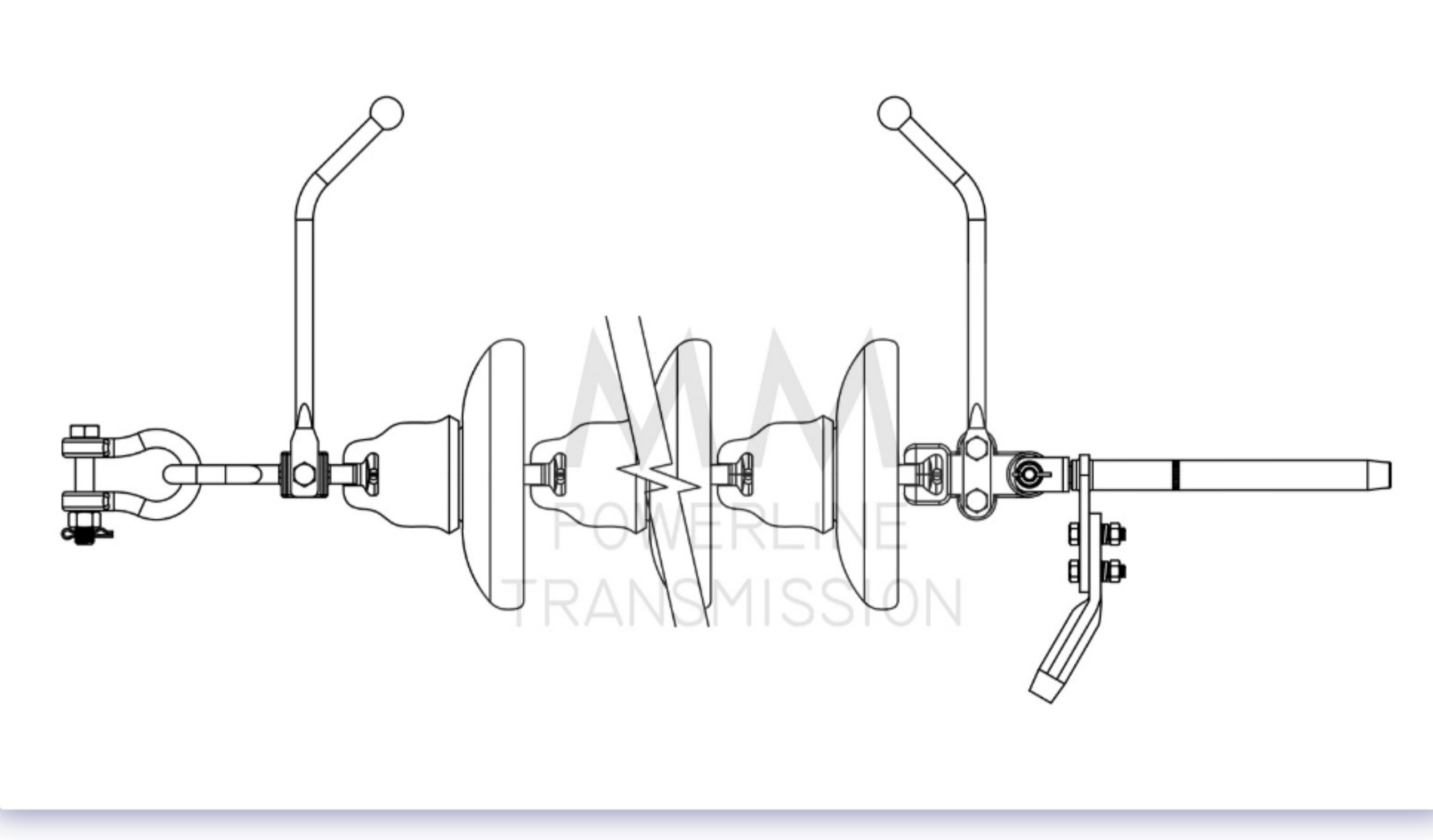
MM Powerline Transmission is one of the leading manufacturer and supplier of Single Tension Compression Hardware. Arcing horns are projecting conductors used to protect insulators or switch hardware on high voltage electric power transmission systems from damage during lightning strikes and other overvoltage phenomena.

The Arcing horns(Rod Type)comprise a pair of rods having V-shaped outer ends criss crossing one another along one lateral side of the insulator and arranged to form multiple self-extinguishing wiring gaps emanating from the common gap between the spaced apart apexes thereof. The assembly is eminently suited for installation vertically, horizontally or in an inclined position. The hardware components are identical and integral except for fasteners.

Single Tension Compression Hardware can be used for Overhead Lines and Substations and can achieve the highest breaking load,using Compression connection techniques.

Compression Hardware ensures proper connection/fitting. It helps in reducing power loss, hence increasing the electrical conductivity. These are rust free, having longer life than Bolted type, and are light in weight.

In case of any fault/damage, only the damaged portion is required to change. Single Tension Compression Hardware are easy to install.



### BOM

SL. NO	DESCRIPTION	QTY	MATERIAL
1	ANCHOR SHACKLE	1 NOS	F.S, HDG
2	BALL LINK	1 NOS	F.S, HDG
3	SOCKET EYE	1 NOS	F.S, HDG
4	TENSION CLAMP & JUMPER	1 SET	EXTRUDED ALUMINIUM
5	STEEL SLEEVE	1 SET	F.S., HDG
6	M16 HEX BOLT, NUT, ROUND & SP. WASHER	2 SETS	M.S., HDG
7	SPLIT PIN	2 NOS	S.S.
8	R-CLIP	1 NOS	S.S.
9	M12 HEX BOLT, NUT, ROUND & SP. WASHER	2 SETS	M.S., HDG
10	ARCING HORN ROD TYPE	2 NOS	F.S., HDG
11	M12 HEX BOLT, NUT	3 SETS	M.S., HDG

### TECHNICAL DATA

1. U.T.S. OF HARDWARE FITTING : 90 KN.
2. SLIP/MECHANICAL STRENGTH OF TENSION CLAMP : 95% OF UTS OF THE CONDUCTOR
3. BALL & SOCKET DESIGNATION : 16MM. AS PER I.S.: 2486, PART-II.
4. SPECN. TO WHICH H/W FITTING CONFORM – I.S.: 2486, PART-I.
5. ALL FERROUS PARTS (EXCEPT SPRING WASHER) SHALL BE HOT DIP GALVANISED CONFORMING TO I.S.: 2633 AND SPRING WASHER ELECTRO GALVANISED CONFORMING TO IS:1573. SERVICE COND. III
6. GENERAL TOLERANCE : ±3%.
7. ALL DIMENSION ARE IN MM.
8. TOLERANCE IN TOTAL LENGTH OF HARDWARE FITTING ±2%.
9. ELECTRICAL RESISTANCE OF TENSION CLAMP – NOT MORE THAN 75% OF
10. MEASURED RESISTANCE OF EQUIVALENT LENGTH OF THE CONDUCTOR

### AVAILABLE FOR THE FOLLOWING CONDUCTORS

#### For ACSR

SL. NO	ACSR CODE	CONDUCTOR DIA.
1	RACCOON	12.27
2	DOG	14.15
3	LEOPARD	15.84
4	COYOTE	15.86
5	TIGER	16.52
6	WOLF	18.13
7	ORIOLE	18.82
8	LYNX	19.53
9	LARK	20.47
10	PANTHER	21.00
11	LION	22.26
12	BEAR	23.45
13	GKUSBLAK	25.16
14	TEAL	25.24
15	GOAT	25.97
16	ANTELOPE	26.73
17	KUNDAH	26.80
18	SHEEP	27.93
19	DRAKE	28.14
20	ZEBRA	28.62
21	DEER	29.89
22	CAMEL	30.15
23	ELK	31.50
24	MORKULLA	31.68
25	MOOSE	31.77
26	BERSIMIS	35.05

#### For AAAC

SL. NO	AAAC	CONDUCTOR DIA.
1	RABBIT	9.30
2	DOG	12.78
3	PANTHER	19.70
4	PANTHER-UP	22.05
5	YEW	25.97
6	ZEBRA	28.00
7	ZEBRA-UP	29.79

### Our Brands



#### Contact Us

- [Facebook](#)
- [Twitter](#)
- [LinkedIn](#)

#### Quick Links

- [Home](#)
- [About Us](#)
- [Career](#)
- [Contact Us](#)

#### Address

Office : 2D,N.S.Road,shantinagar Colony,Compact Appt. Block-B,Flat-G001,Liluah,Howrah-711204,West Bengal,India  
 Factory : 58,N.S.Road,Lilauh,Howrah – 711204,West Bengal,India  
 +91 8961536500  
 sales@mmpt.in

