

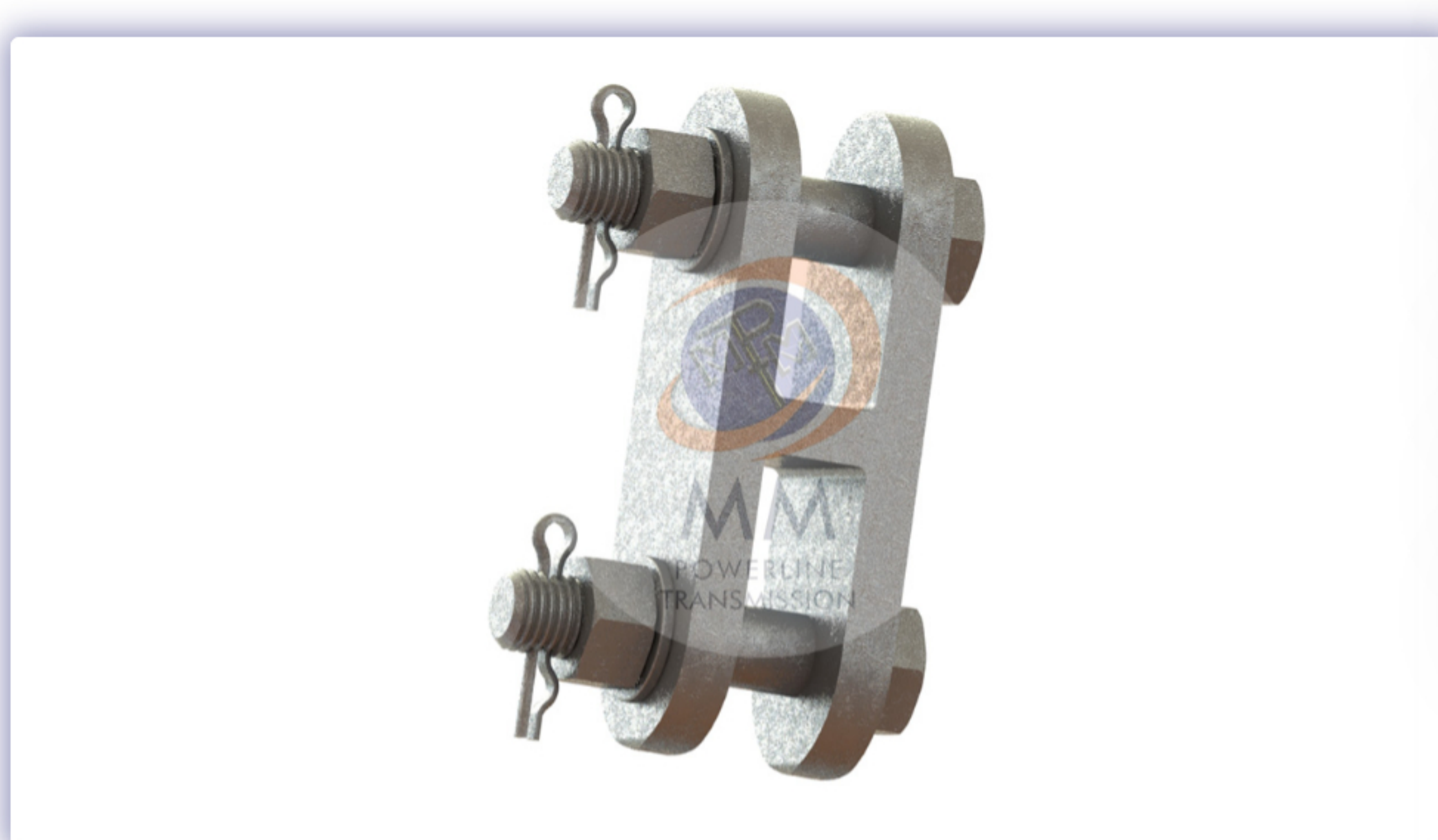


Clevis Clevis

Home » Clevis type » Clevis Clevis

Clevis Clevis

Download Product details



- ### Other Product Quick Link
- TENSION FITTINGS-Compression Type
 - TENSION FITTINGS-Bolted Type
 - SUSPENSION FITTINGS AGS Type
 - SUSPENSION FITTINGS-Envelope Type-With Armour Rod
 - SUSPENSION FITTINGS-Envelope Type-Without Armour Rod
 - SUSPENSION FITTINGS-Free Centre Type-With Armour Rod
 - SUSPENSION FITTINGS-Free Centre Type-Without Armour Rod

At MM POWERLINE TRANSMISSION, our dedication to safety and reliability in power transmission systems is unwavering. A critical component that enhances this mission is the clevis clevis. This essential piece of hardware plays a vital role in securing conductors and ensuring the stability of our overhead power lines. In this article, we will explore the features, functions, and importance of the clevis clevis in our transmission line infrastructure.

What is a Clevis Clevis?

A clevis clevis is a specialized connector used in overhead power transmission lines. It features a dual clevis design, allowing for secure connections between conductors and various hardware components. This design ensures a robust attachment while accommodating necessary adjustments and movements.

Key Features

- Durable Construction:** Clevis clevises are manufactured from high-strength materials, such as galvanized steel or stainless steel, ensuring they can withstand harsh environmental conditions and resist corrosion.
- Robust Design:** The dual clevis configuration provides excellent load-bearing capacity, making it suitable for a variety of applications in transmission line systems.
- Ease of Installation:** Clevis clevises can be quickly and easily attached to different support structures, facilitating efficient setup and maintenance for our utility teams.
- Versatility:** These connectors are compatible with a wide range of conductor sizes and types, making them adaptable for diverse configurations in our transmission line systems.

Functions of the Clevis Clevis

- Secure Connection:** The primary function of the clevis clevis is to provide a stable and secure attachment point for conductors, ensuring they remain properly fastened under various conditions.
- Load Distribution:** The robust design helps evenly distribute loads across the transmission structure, minimizing the risk of localized stress and potential failure.
- Facilitating Movement:** The clevis clevis allows for flexibility, accommodating changes in tension and alignment due to temperature fluctuations and wind.
- Enhancing Safety:** By ensuring secure connections, clevis clevises significantly reduce the risk of electrical accidents, protecting both personnel and equipment.

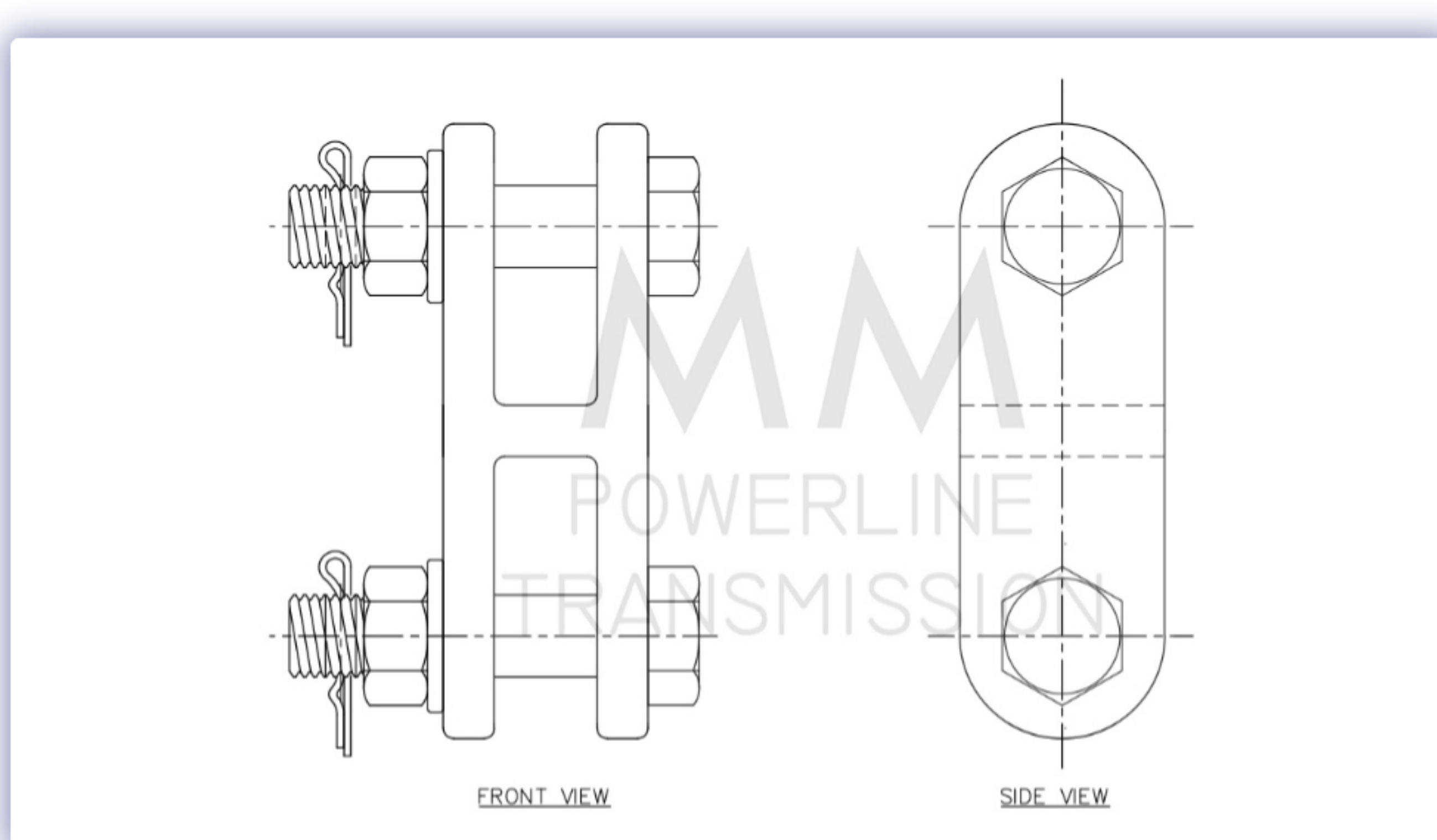
Importance in Transmission Line Systems

The clevis clevis is vital for several reasons:

- Safety:** By providing secure connections for conductors, clevis clevises help minimize the risk of electrical failures and accidents, safeguarding both personnel and equipment.
- Reliability:** Consistent power delivery relies on robust transmission lines. High-quality components like clevis clevises enhance the overall reliability of our systems.
- Cost Efficiency:** By preventing wear and damage and reducing maintenance needs, clevis clevises contribute to lower operational costs for MM POWERLINE TRANSMISSION.

Conclusion

The clevis clevis is an essential component of our transmission line hardware at MM POWERLINE TRANSMISSION. Its design and functionality are critical for ensuring the safety, reliability, and efficiency of our power delivery systems. As electricity demand continues to rise, maintaining a robust transmission infrastructure becomes increasingly important, underscoring the vital role of the clevis clevis. Proper selection, installation, and maintenance of this component are essential for upholding the integrity of our transmission lines and meeting the electrical needs of our communities.



BOQ

SL. NO	DESCRIPTION	QTY	MATERIAL
1	Y-CLEVIS EYE	1 NOS	HDG STEEL, FORGED STEEL
2	HEX BOLT	2 NOS	HDG STEEL
3	HEX NUT	2 NOS	HDG STEEL
4	ROUND WASHER	2 NOS	HDG STEEL
5	SPLIT PIN	2 NOS	STAINLESS STEEL

TECHNICAL DATA

- ALL DIMENSIONS ARE IN MM.
- GENERAL TOLERANCE ±5% UNLESS OTHERWISE SPECIFIED.
- HOT DIP GALVANISED AS PER IS : 2633.

Our Brands



Contact Us

- Facebook
- Twitter
- Linkedin

Quick Links

- Home
- About Us
- Career
- Contact Us

Address

Office : 2D,N.S.Road,shantinagar Colony,Compact Appt., Block-B,Flat-G001,Liluah,Howrah-711204,West Bengal,India
 Factory : 58,N.S.Road,Lilauh,Howrah - 711204,West Bengal,India
 +91 8961536500
 sales@mmpt.in