

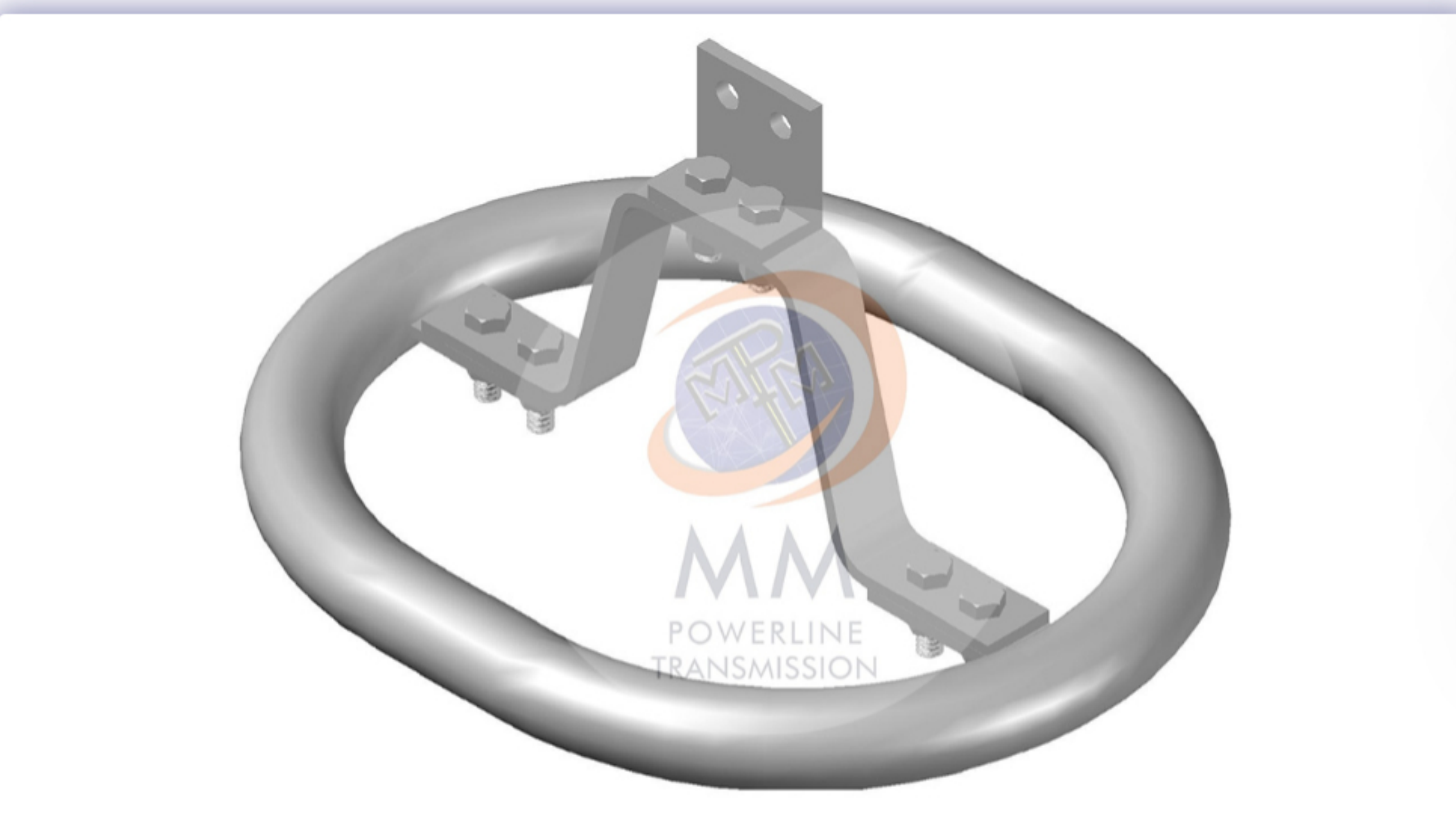


Corona Ring OD-600x500

Home » Corona Ring Type » Corona Ring OD-600x500

Corona Ring OD-600x500

Download Product details



Other Product Quick Link

- TENSION FITTINGS-Compression Type
- TENSION FITTINGS-Bolted Type
- SUSPENSION FITTINGS AGS Type
- SUSPENSION FITTINGS-Envelope Type-With Armour Rod
- SUSPENSION FITTINGS-Envelope Type-Without Armour Rod
- SUSPENSION FITTINGS-Free Centre Type-With Armour Rod
- SUSPENSION FITTINGS-Free Centre Type-Without Armour Rod

At MM POWERLINE TRANSMISSION, we prioritize safety, reliability, and efficiency in our power transmission systems. One essential component that helps achieve these objectives is the Corona Ring (OD – 600 x 500). This crucial device plays a significant role in preventing corona discharge, protecting conductors and insulators, and ensuring the stability of transmission lines. In this article, we will explore the features, functions, and importance of the Corona Ring (OD – 600 x 500) in our power transmission infrastructure.

What is a Corona Ring (OD – 600 x 500)?

The Corona Ring (OD – 600 x 500) is a specially designed component used in overhead power transmission lines to prevent corona discharge, a phenomenon that occurs when the electric field around a conductor becomes strong enough to ionize the surrounding air. This discharge leads to energy loss, potential damage to transmission components, and reduced efficiency. The Corona Ring (OD – 600 x 500) helps to smooth out the electric field around the conductor, reducing the occurrence of corona discharge and improving the overall performance of the transmission system.

With an outer diameter of 600mm and an inner diameter of 500mm, the Corona Ring (OD – 600 x 500) is tailored for medium and low-voltage transmission lines. This makes it an ideal solution for improving the efficiency and protection of power systems in various settings.

Key Features

- 1. Durable Construction:** The Corona Ring (OD – 600 x 500) is made from high-quality, corrosion-resistant materials such as galvanized steel or stainless steel. This ensures its durability and long-term performance even under harsh environmental conditions.
- 2. Efficient Design:** The ring's design ensures an even distribution of the electric field around the conductor, preventing electrical stress that leads to corona discharge. This helps improve the system's overall efficiency by reducing energy losses.
- 3. Perfect Fit:** The Corona Ring (OD – 600 x 500) is specifically designed to fit medium to low-voltage conductors with an outer diameter of 600mm and an inner diameter of 500mm, ensuring a secure installation and optimal performance.
- 4. Easy Installation:** The Corona Ring (OD – 600 x 500) is designed for quick and simple installation, which reduces setup time and maintenance costs, ensuring minimal disruption to the power transmission system.

Functions of the Corona Ring (OD – 600 x 500)

- 1. Preventing Corona Discharge:** The primary function of the Corona Ring (OD – 600 x 500) is to prevent corona discharge. By redistributing the electric field around the conductor, the ring minimizes ionization of the surrounding air, reducing energy loss and improving the efficiency of the transmission system.
- 2. Protecting Conductors and Insulators:** The Corona Ring (OD – 600 x 500) helps protect both conductors and insulators by reducing electrical stress and preventing damage caused by corona-related effects. This enhances the longevity of critical transmission components.
- 3. Improving Transmission Efficiency:** By minimizing the occurrence of corona discharge, the Corona Ring (OD – 600 x 500) improves the efficiency of power transmission. This ensures that electricity is delivered with minimal losses, contributing to a more reliable and effective power supply.
- 4. Enhancing Safety:** The Corona Ring (OD – 600 x 500) plays a crucial role in improving the safety of the transmission system by reducing the risks of electrical faults, which could lead to accidents or damage. It ensures that the transmission system operates safely, protecting both personnel and equipment.

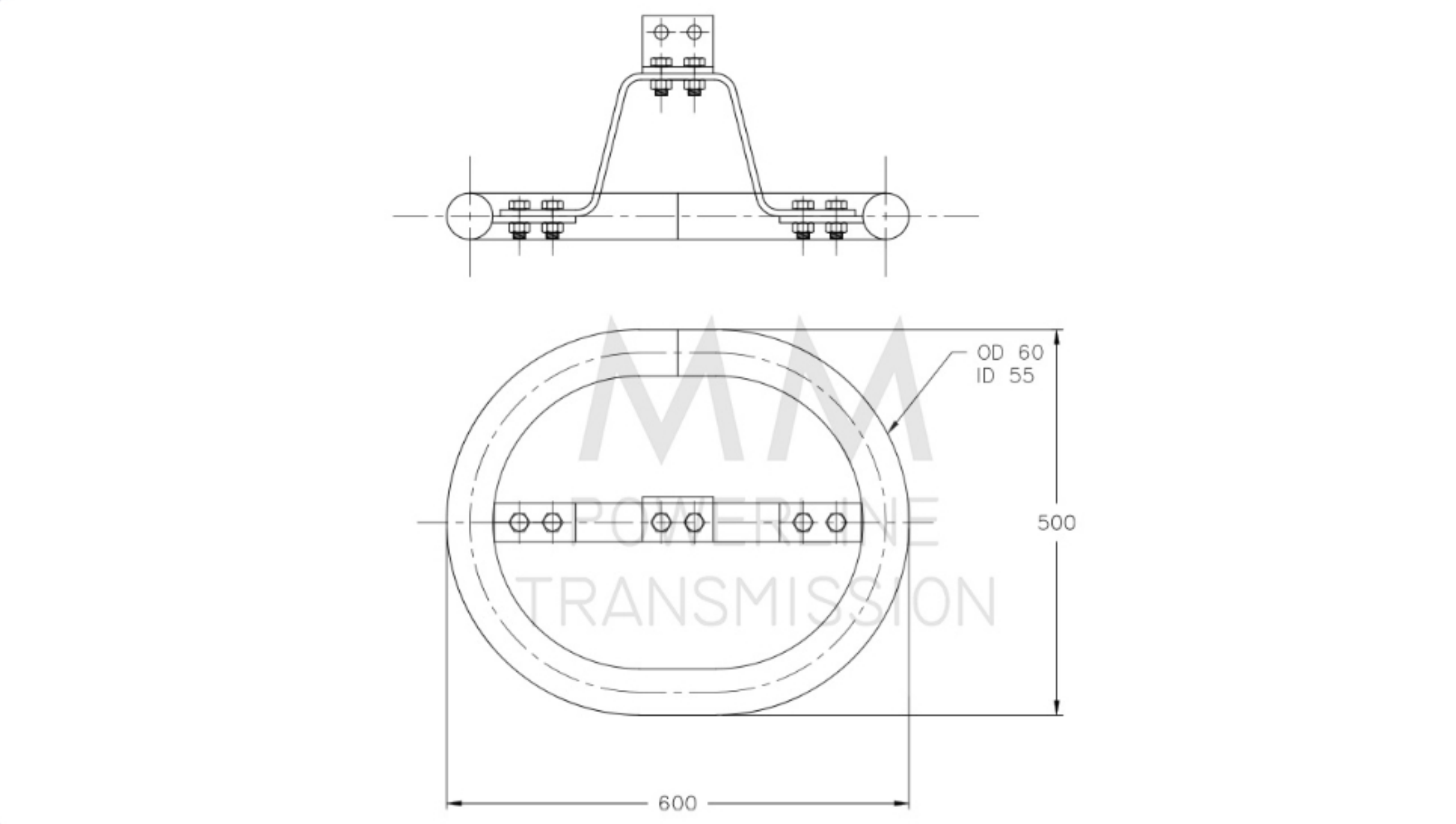
Importance in Transmission Line Systems

The Corona Ring (OD – 600 x 500) is vital for the following reasons:

- **Safety:** By preventing corona discharge and minimizing electrical faults, the Corona Ring (OD – 600 x 500) reduces the risk of accidents and damage, ensuring the safety of personnel and equipment.
- **Reliability:** The Corona Ring (OD – 600 x 500) enhances the reliability of the power transmission system by improving its overall efficiency. This ensures a consistent and uninterrupted power supply to communities, contributing to the stability of the electrical grid.
- **Cost Efficiency:** The Corona Ring (OD – 600 x 500) helps extend the lifespan of key components such as conductors and insulators, reducing the need for frequent maintenance and replacement. This results in cost savings for MM POWERLINE TRANSMISSION over time.

Conclusion

The Corona Ring (OD – 600 x 500) is an essential component in MM POWERLINE TRANSMISSION's infrastructure. Its function in preventing corona discharge, protecting critical components, and improving system efficiency is vital to the smooth operation of our power transmission network. As the demand for electricity continues to grow, ensuring the reliability and efficiency of the transmission network becomes increasingly important. The Corona Ring (OD – 600 x 500) plays a key role in achieving these objectives, helping to safeguard the transmission lines and ensure a steady and reliable power supply. Proper selection, installation, and maintenance of this component are critical for ensuring the ongoing integrity and efficiency of the transmission system, supporting the growing energy needs of our communities.



BOM

SL. NO	DESCRIPTION	QTY	MATERIAL
1	CORONA RING	1 NOS	ALALLOY
2	BRACKET	1 NOS	ALALLOY/HDG STEEL
3	BOLT	6 NOS	HDG STEEL
4	NUT	6 NOS	HDG STEEL
5	ANGLE	1 NOS	HDG STEEL
6	FLAT	2 NOS	HDG STEEL

TECHNICAL DATA

1. ALL DIMENSIONS ARE IN MM.
2. GENERAL TOLERANCE ±5% UNLESS OTHERWISE SPECIFIED.
3. FERROUS PART HOT DIP GALVANISED AS PER IS : 2633.
4. CORONA RING & BRACKET AL. ALLOY

Our Brands



Contact Us

- Facebook
- Twitter
- LinkedIn

Quick Links

- Home
- About Us
- Career
- Contact Us

Address

Office : 2D,N.S.Road,shantinagar Colony,Compact Appt., Block-B,Flat-G001,Liluah,Howrah-711 204,West Bengal,India
 Factory : 58,N.S.Road,Liluah,Howrah – 711204,West Bengal,India
 +91 8961536500
 sales@mmpt.in

