



Phase Plate

Home » TOWER ACCESSORIES » Phase Plate

Phase Plate

Download Product details

Other Product Quick Link



- Lorem ipsum dolor sit amet,
- Lorem ipsum dolor sit amet,
- Lorem ipsum dolor sit amet,
- Lorem ipsum dolor sit amet,

At MM Power line Transmission, phase plates are vital components used in our power transmission systems to ensure accurate identification and efficient operation. These plates play a crucial role in the management and maintenance of electrical phases, contributing to the reliability and safety of our infrastructure. This article outlines the importance of phase plates, the types we use, and the benefits they offer to our operations and safety protocols.

Importance of Phase Plates

- Accurate Phase Identification:** Phase plates are essential for the clear identification of electrical phases in power transmission systems. By providing a visual reference, phase plates help ensure that electrical phases are correctly managed, reducing the risk of phase-related issues and ensuring proper system operation.
- Facilitating Maintenance and Repairs:** During maintenance or repair work, accurate phase identification is crucial. Phase plates enable maintenance teams to quickly and accurately identify phases, facilitating efficient and safe work on the electrical system.
- Preventing Phase Confusion:** Misidentification of electrical phases can lead to operational issues or system faults. Phase plates help prevent such confusion by clearly labelling each phase, ensuring correct connections and operations.
- Enhancing Safety Standards:** Clear phase identification contributes to overall safety by reducing the likelihood of errors during installation, maintenance, and operation. Phase plates are integral to maintaining high safety standards in power transmission environments.

Types of Phase Plates

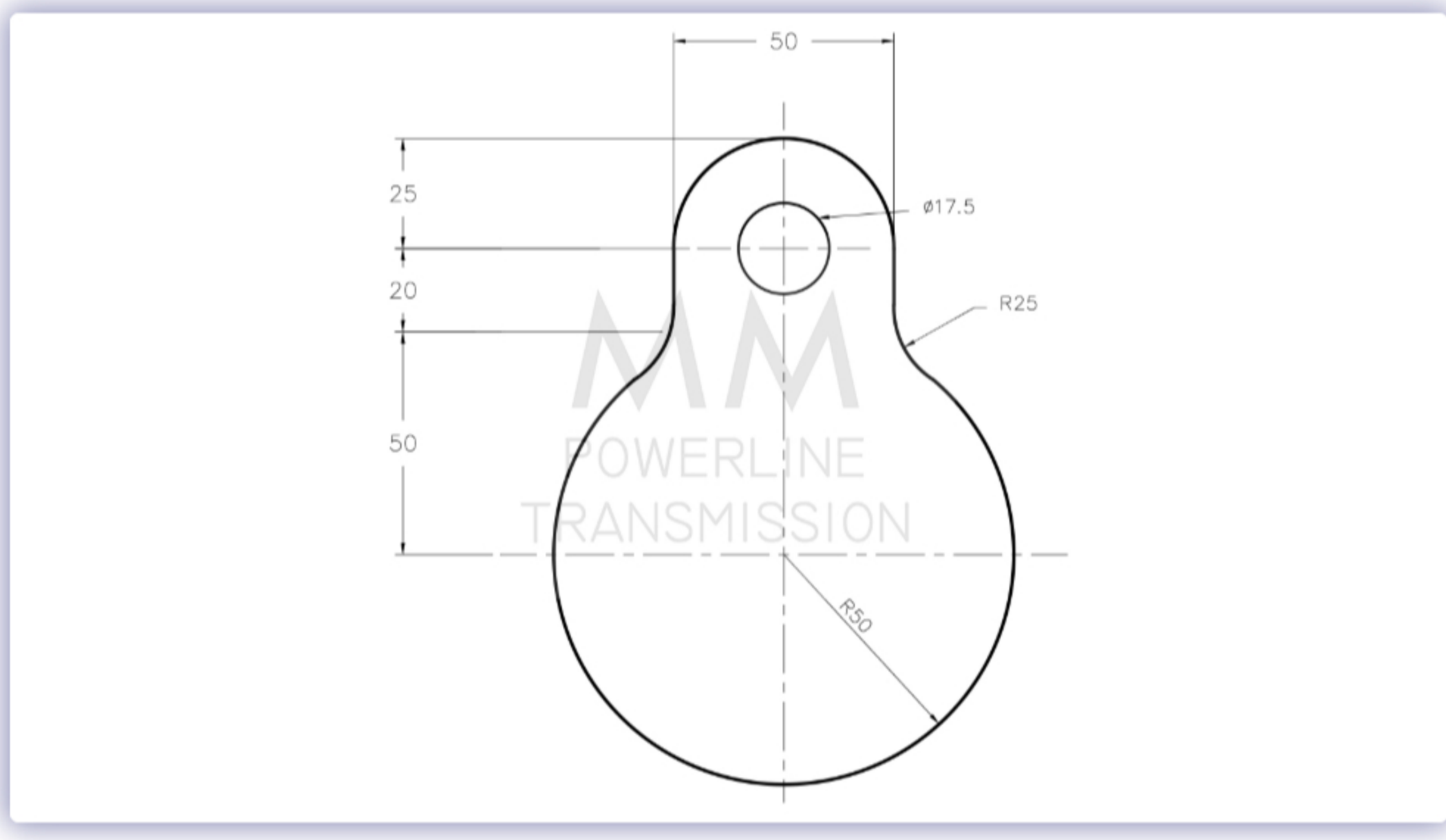
- Standard Phase Plates:** These plates feature clear and straightforward markings for identifying electrical phases. They are designed for general use in various power transmission systems, providing essential phase information.
- Color-Coded Phase Plates:** To enhance visibility and reduce the risk of errors, color-coded phase plates are used. Each plate is marked with different colours corresponding to specific phases, making identification quicker and more intuitive.
- Custom Phase Plates:** MM Power line Transmission offers custom phase plates tailored to specific operational needs or site requirements. These custom solutions ensure that phase identification is optimized for unique system configurations.
- Durable Phase Plates:** Constructed from high-quality materials, durable phase plates are designed to withstand harsh environmental conditions and maintain legibility over time. These plates ensure long-lasting performance and reliability.

Benefits of Phase Plates

- Improved Accuracy:** Phase plates provide clear and precise identification of electrical phases, enhancing the accuracy of system operations and reducing the risk of errors. This improved accuracy supports the efficient functioning of power transmission systems.
- Enhanced Efficiency:** By facilitating quick and accurate phase identification, phase plates streamline maintenance and operational tasks. This efficiency helps reduce downtime and ensures smooth system operations.
- Increased Safety:** Proper phase identification minimizes the risk of operational mistakes and enhances safety during installation and maintenance. Phase plates contribute to a safer working environment by providing essential phase information.
- Durability and Reliability:** Our phase plates are made from durable materials to withstand various environmental conditions, ensuring long-term reliability and performance. This durability supports consistent and effective phase management over time.

Conclusion

At MM Power line Transmission, phase plates are a fundamental component of our power transmission systems, offering crucial benefits such as improved accuracy, enhanced efficiency, and increased safety. By implementing high-quality and clearly marked phase plates, we demonstrate our commitment to maintaining accurate phase identification and ensuring the reliable operation of our electrical infrastructure.



BOQ

MARK ON	DESCRIPTION	MATERIAL	QTY. NOS
1	PHASE PLATE	STEEL SHEET	1

TECHNICAL DATA

- ALL DIMENSIONS ARE IN MM.
- ALL PLATES TO BE MANUFACTURED OUT OF 16 GAUGE SHEET STEEL.
- ONE SET CONSISTING OF THREE ENAMELLED RED, BLUE AND YELLOW.
- BACK SIDE OF ALL THE PLATES TO BE ENAMELLED BLACK.
- TWO SETS ARE REQUIRED FOR ONE TOWER.
- 16X35 MM BOLT WITH NUTS ALONGWITH 2 NOS. 2MM LEAD WASHER TO BE PROVIDED WITH EACH PHASE PLATE.
- BOLTS & NUTS SHOULD CORRESPOND TO LATEST IS: 12427 & TO BE GALVANISED AS PER IS: 1367.

Our Brands



Contact Us

- Facebook
- Twitter
- LinkedIn

Quick Links

- Home
- About Us
- Career
- Contact Us

Address

Office : 2D,N.S.Road,shantinagar Colony,Compact Appt., Block-B,Flat-G001,Liluah,Howrah-711 204,West Bengal,India
 Factory : 58,N.S.Road,Lilauh,Howrah - 711204,West Bengal,India
 +91 8961536500
 sales@mmpt.in