



Socket Eye Horn Holder Type-2

Home » Socket Type » Socket Eye Horn Holder Type-2

Socket Eye Horn Holder Type-2

[Download Product details](#)

Other Product Quick Link

- TENSION FITTINGS-Compression Type
- TENSION FITTINGS-Bolted Type
- SUSPENSION FITTINGS AGS Type
- SUSPENSION FITTINGS-Envelope Type-With Armour Rod
- SUSPENSION FITTINGS-Envelope Type-Without Armour Rod
- SUSPENSION FITTINGS-Free Centre Type-With Armour Rod
- SUSPENSION FITTINGS-Free Centre Type-Without Armour Rod



At MM POWERLINE TRANSMISSION, we are committed to ensuring the safety and reliability of our power transmission systems. A crucial component that supports this mission is the socket eye horn holder. This essential piece of hardware plays a significant role in securing conductors and enhancing the stability of our overhead power lines. In this article, we will explore the features, functions, and importance of the socket eye horn holder in our transmission line infrastructure.

What is a Socket Eye Horn Holder?

The socket eye horn holder is a specialized fitting used in overhead power transmission lines. It features a looped eye designed to create secure connections between conductors and insulators or cross arms. This design ensures a stable attachment while allowing for necessary adjustments and movements.

Key Features

- 1. Durable Construction:** Socket eye horn holders are made from high-strength materials such as galvanized steel or stainless steel, ensuring they can withstand harsh environmental conditions and resist corrosion.
- 2. Robust Design:** The construction provides excellent load-bearing capacity, making it suitable for a variety of applications within transmission line systems.
- 3. Ease of Installation:** These holders can be quickly and easily installed on different support structures, facilitating efficient setup and maintenance for our utility teams.
- 4. Versatility:** The socket eye horn holder is compatible with a wide range of conductor sizes and types, making it adaptable for diverse configurations in our transmission line systems.

Functions of the Socket Eye Horn Holder

- 1. Secure Connection:** The primary function of the socket eye horn holder is to provide a stable and secure attachment point for conductors, ensuring they remain properly fastened under varying conditions.
- 2. Load Management:** The robust design helps evenly distribute loads across the transmission structure, minimizing the risk of localized stress and potential failure.
- 3. Facilitating Movement:** The design allows for flexibility, accommodating changes due to temperature fluctuations and wind without compromising structural integrity.
- 4. Enhancing Safety:** By ensuring secure connections, socket eye horn holders significantly reduce the risk of electrical accidents, protecting both personnel and equipment.

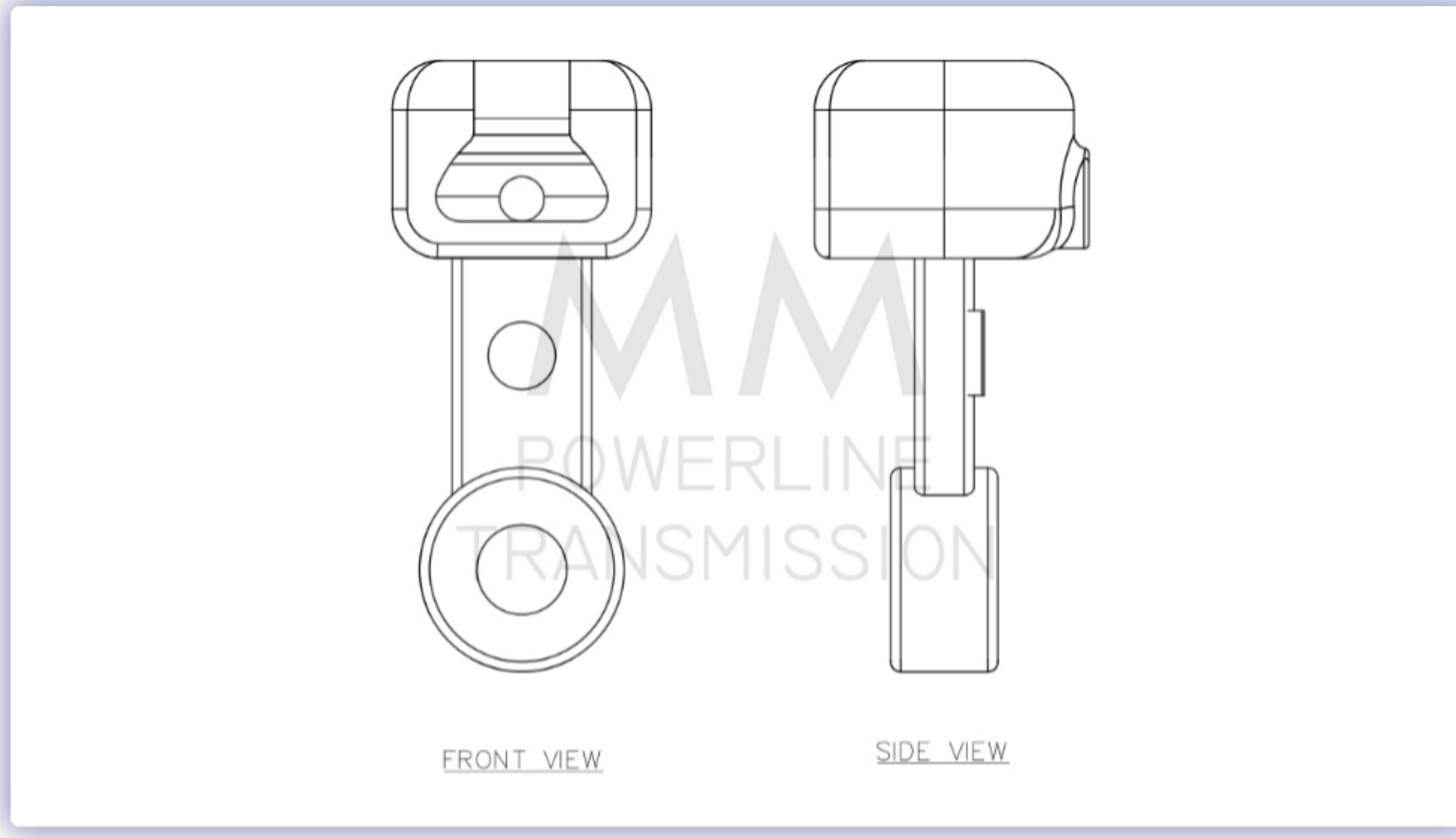
Importance in Transmission Line Systems

The socket eye horn holder is vital for several reasons:

- **Safety:** By providing secure connections for conductors, these holders help minimize the risk of electrical failures and accidents, safeguarding both personnel and equipment.
- **Reliability:** Consistent power delivery relies on robust transmission lines. High-quality components like socket eye horn holders enhance the overall reliability of our systems.
- **Cost Efficiency:** By preventing wear and damage and reducing maintenance needs, socket eye horn holders contribute to lower operational costs for MM POWERLINE TRANSMISSION.

Conclusion

The socket eye horn holder is an essential component of our transmission line hardware at MM POWERLINE TRANSMISSION. Its design and functionality are critical for ensuring the safety, reliability, and efficiency of our power delivery systems. As electricity demand continues to rise, maintaining a robust transmission infrastructure becomes increasingly important, underscoring the vital role of the socket eye horn holder. Proper selection, installation, and maintenance of this component are essential for upholding the integrity of our transmission lines and meeting the electrical needs of our communities.



BOM

SL. NO	DESCRIPTION	QTY	MATERIAL
1	SOCKET EYE HORN HOLDER	1 NOS	HDG STEEL, FORGED STEEL
2	R- CLIP	1 NOS	STAINLESS STEEL

TECHNICAL DATA

1. ALL DIMENSIONS ARE IN MM.
2. GENERAL TOLERANCE ±5% UNLESS OTHERWISE SPECIFIED.
3. HOT DIP GALVANISED AS PER IS : 2633.

Our Brands



Contact Us

- [Facebook](#)
- [Twitter](#)
- [LinkedIn](#)

Quick Links

- [Home](#)
- [About Us](#)
- [Career](#)
- [Contact Us](#)

Address

Office : 2D,N.S.Road,shantinagar Colony,Compact Appt., Block-B,Flat-G001,Liluah,Howrah-711204,West Bengal,India

Factory : 58,N.S.Road,Lilauh,Howrah – 711204,West Bengal,India

Phone : +91 8961536500

Email : sales@mmpt.in

