



# Suspension Hanger

Home » TOWER ACCESSORIES » Suspension Hanger

## Suspension Hanger

Download Product details

### Other Product Quick Link

- Lorem ipsum dolor sit amet,
- Lorem ipsum dolor sit amet,
- Lorem ipsum dolor sit amet,
- Lorem ipsum dolor sit amet,



At MM Power line Transmission, suspension hangers are critical components in our power transmission systems, designed to provide reliable support and stability to electrical conductors. These hangers play a crucial role in maintaining the integrity and alignment of power lines, ensuring the smooth operation of our infrastructure. This article explores the importance of suspension hangers, the different types we use, and the benefits they bring to our systems and operational standards.

#### Importance of Suspension Hangers

- Providing Structural Support:** Suspension hangers are essential for supporting and securing electrical conductors in power transmission systems. They help maintain the proper alignment and tension of power lines, preventing sagging and ensuring consistent performance.
- Maintaining System Integrity:** Properly installed suspension hangers contribute to the overall stability and integrity of power transmission lines. They help distribute the load evenly, reducing the risk of mechanical failure and extending the lifespan of the infrastructure.
- Facilitating Installation and Maintenance:** Suspension hangers simplify the installation and maintenance of power lines by providing a reliable means of securing conductors. This ease of use helps ensure that installation and repair work is carried out efficiently and safely.
- Enhancing Safety:** By providing robust support for power lines, suspension hangers reduce the risk of line breaks and accidents. This enhanced safety is crucial for protecting both the infrastructure and the personnel working on power transmission systems.

#### Types of Suspension Hangers

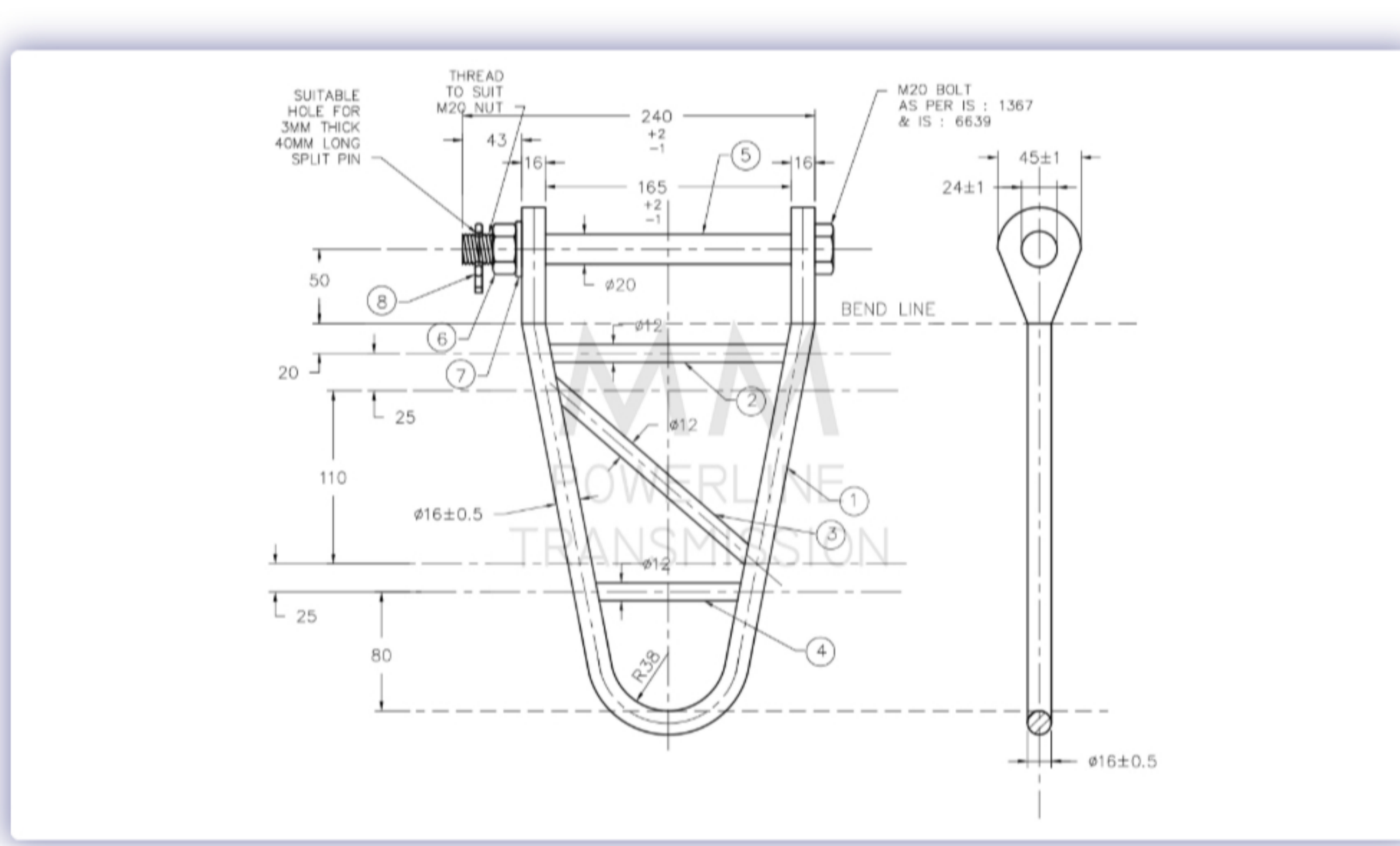
- Single Suspension Hangers:** Single suspension hangers are used to support individual conductors from a single point. They are designed to accommodate varying conductor sizes and tensions, providing flexibility in their application.
- Double Suspension Hangers:** These hangers support two conductors simultaneously, often used in configurations where multiple lines are run parallel. Double suspension hangers help ensure uniform tension and alignment for multiple conductors.
- Adjustable Suspension Hangers:** Adjustable suspension hangers offer flexibility by allowing adjustments to the height and tension of the conductors. This adjustability is useful for accommodating changes in load or alignment requirements.
- Insulated Suspension Hangers:** Designed with insulation to prevent electrical contact, insulated suspension hangers are used in environments where electrical isolation is necessary. They help ensure safety by reducing the risk of electrical faults.

#### Benefits of Suspension Hangers

- Enhanced Structural Integrity:** By providing reliable support and alignment, our suspension hangers enhance the structural integrity of power lines. This improved stability helps prevent sagging and mechanical failures, ensuring consistent system performance.
- Efficient Installation and Maintenance:** Suspension hangers simplify the processes of installation and maintenance, allowing for quicker and more efficient setup and repairs. This efficiency contributes to reduced downtime and improved operational effectiveness.
- Increased Safety:** Our suspension hangers play a crucial role in maintaining safe and reliable power transmission systems. By preventing line breaks and ensuring proper conductor alignment, they help protect both infrastructure and personnel.
- Durability and Reliability:** Constructed from high-quality materials, our suspension hangers are designed to withstand harsh environmental conditions and maintain their performance over time. This durability ensures long-lasting support and stability for power lines.

#### Conclusion

At MM Power line Transmission, suspension hangers are a fundamental component of our power transmission systems, offering essential benefits such as enhanced structural integrity, efficient installation and maintenance, and increased safety. By utilizing high-quality suspension hangers, we demonstrate our commitment to providing reliable and stable support for our power lines, ensuring the continued performance and safety of our electrical infrastructure.



#### BOQ

MARK ON	DESCRIPTION	MATERIAL	QTY. NOS
1	Ø16 ROD	HDG STEEL	1
2	Ø12 ROD	HDG STEEL	3
3	BOLT M20	HDG STEEL	1
4	NUT M20	HDG STEEL	1
5	WASHER M20, Ø50x 6THICK	HDG STEEL	1
6	SPLIT PIN	STAINLESS STEEL	1

#### TECHNICAL DATA

- ALL DIMENSION ARE IN MM.
- MATERIAL : MILD STEEL
- TO BE HOT DIP GALVD. AFTER MANUFACTURE
- GENERAL TOLERANCE : ±5%: (UNLESS OR OTHERWISE SPECIFIED)

#### Our Brands



#### Contact Us

- Facebook
- Twitter
- LinkedIn

#### Quick Links

- Home
- About Us
- Career
- Contact Us

#### Address

Office : 2D,N.S.Road,shantinagar Colony,Compact Appt., Block-B,Flat-G001,Liluah,Howrah-711204,West Bengal,India  
 Factory : 58,N.S.Road,Lilauh,Howrah – 711204,West Bengal,India  
 +91 8961536500  
 sales@mmpt.in

