

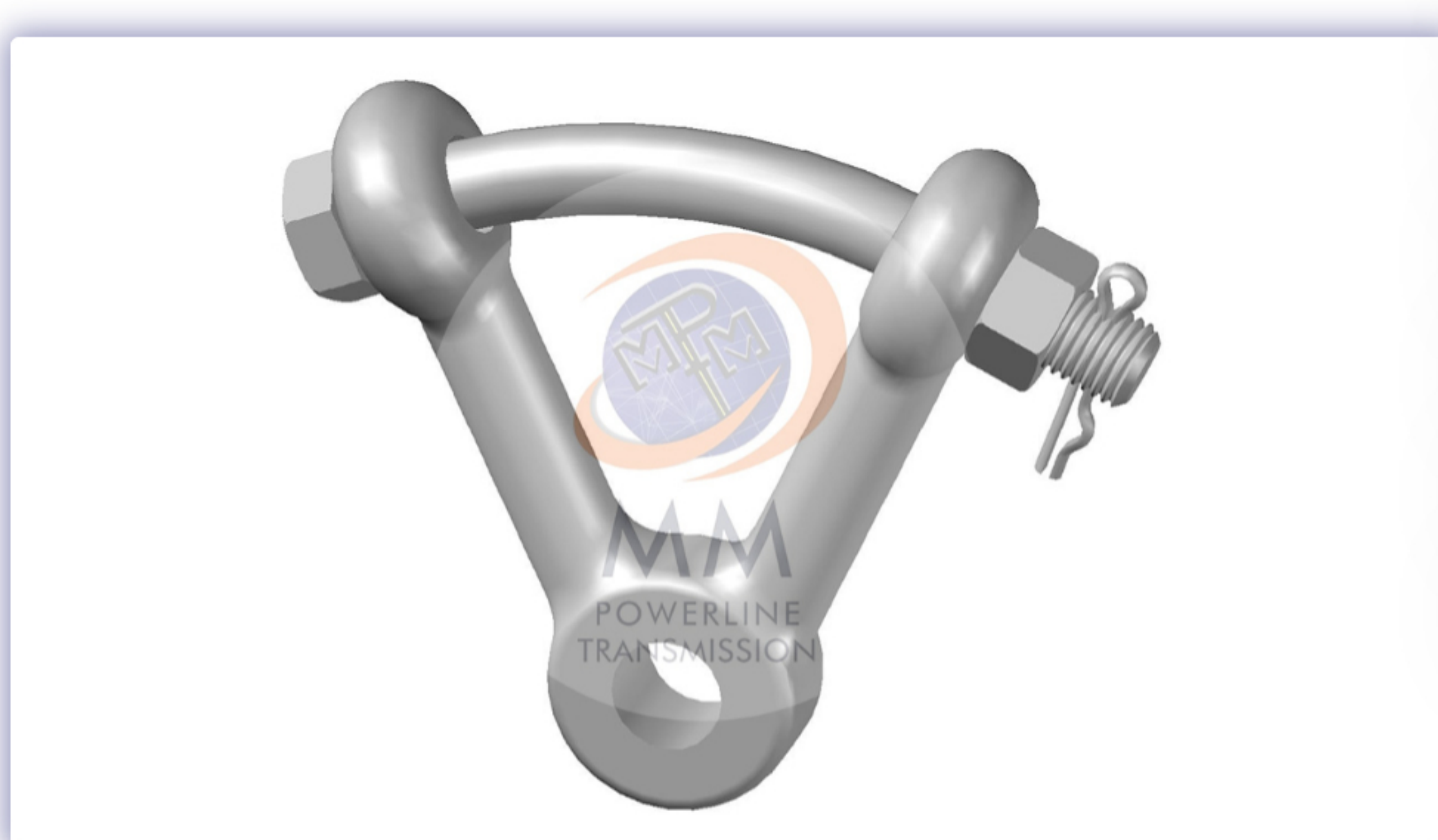


# Y-Clevis Eye

Home » Clevis type » Y Clevis Eye

## Y-Clevis Eye

[Download Product details](#)



- ### Other Product Quick Link
- TENSION FITTINGS-Compression Type
  - TENSION FITTINGS-Bolted Type
  - SUSPENSION FITTINGS AGS Type
  - SUSPENSION FITTINGS-Envelope Type-With Armour Rod
  - SUSPENSION FITTINGS-Envelope Type-Without Armour Rod
  - SUSPENSION FITTINGS-Free Centre Type-With Armour Rod
  - SUSPENSION FITTINGS-Free Centre Type-Without Armour Rod

At MM POWERLINE TRANSMISSION, our commitment to the safety and efficiency of power transmission systems is paramount. A crucial component that supports this mission is the Y clevis eye. This essential piece of hardware plays a significant role in securing conductors and enhancing the stability of our overhead power lines. In this article, we will explore the features, functions, and importance of the Y clevis eye in our transmission line infrastructure.

### What is a Y Clevis Eye?

A Y clevis eye is a specialized connector used in overhead power transmission lines. Its design features a Y-shaped configuration with a looped eye, allowing for secure connections between conductors and various hardware components. This design ensures a stable attachment while accommodating necessary adjustments and movements.

### Key Features

- Durable Construction:** Y clevis eyes are manufactured from high-strength materials such as galvanized steel or stainless steel, ensuring they can withstand harsh environmental conditions and resist corrosion.
- Robust Design:** The Y-shaped configuration provides excellent load-bearing capacity, making the clevis eye suitable for a variety of applications in transmission line systems.
- Ease of Installation:** Y clevis eyes can be quickly and easily attached to different support structures, facilitating efficient setup and maintenance for our utility teams.
- Versatility:** These connectors are compatible with a wide range of conductor sizes and types, making them adaptable for diverse configurations in our transmission line systems.

### Functions of the Y Clevis Eye

- Secure Connection:** The primary function of the Y clevis eye is to provide a stable and secure attachment point for conductors, ensuring they remain properly fastened under varying conditions.
- Load Distribution:** The robust design of the Y clevis eye helps evenly distribute loads across the transmission structure, minimizing the risk of localized stress and potential failure.
- Facilitating Movement:** The Y clevis eye allows for flexibility, accommodating changes due to temperature fluctuations and wind without compromising structural integrity.
- Enhancing Safety:** By ensuring secure connections, Y clevis eyes significantly reduce the risk of electrical accidents, protecting both personnel and equipment.

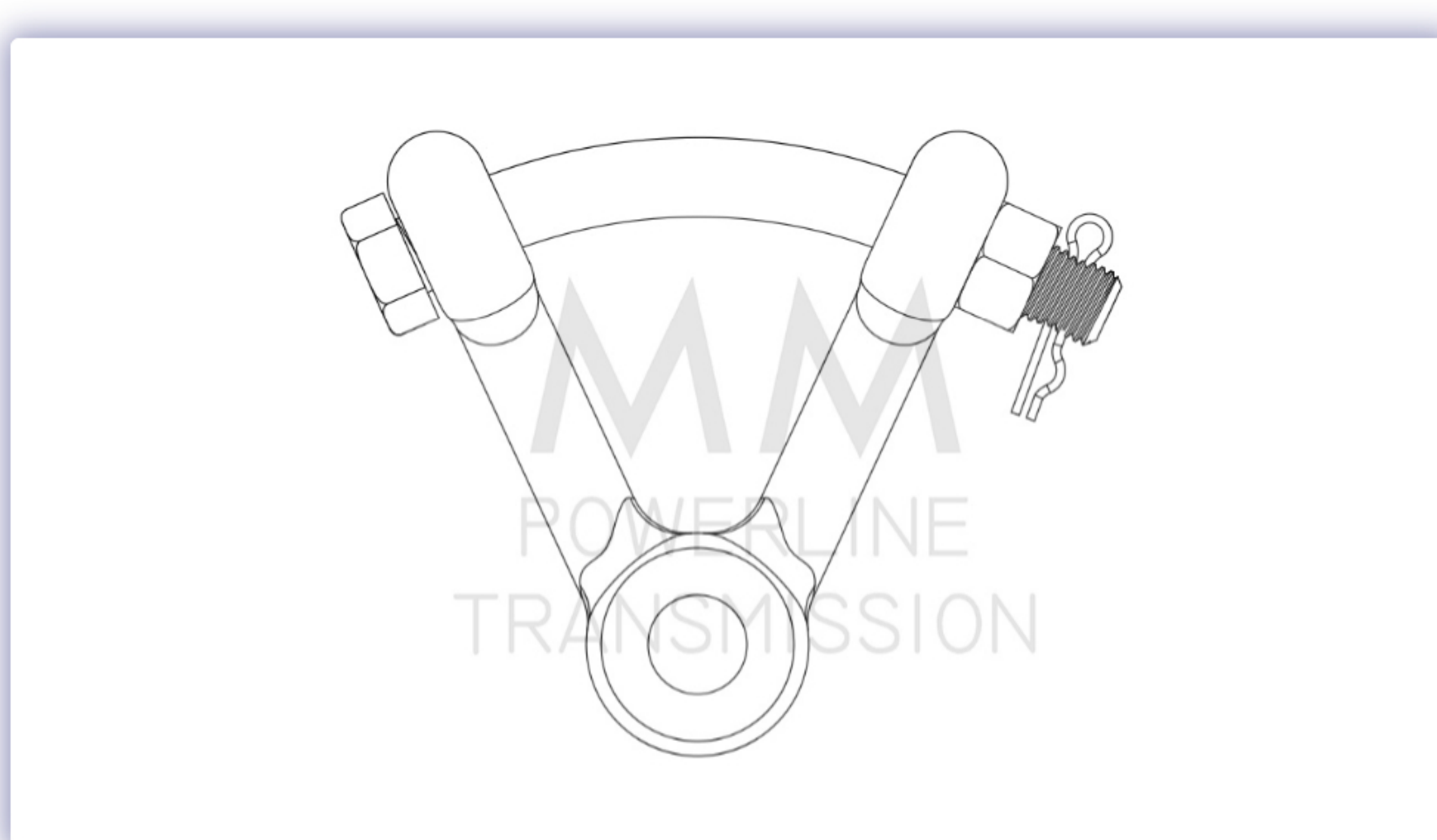
### Importance in Transmission Line Systems

The Y clevis eye is vital for several reasons:

- Safety:** By providing secure connections for conductors, Y clevis eyes help minimize the risk of electrical failures and accidents, safeguarding both personnel and equipment.
- Reliability:** Consistent power delivery relies on robust transmission lines. High-quality components like Y clevis eyes enhance the overall reliability of our systems.
- Cost Efficiency:** By preventing wear and damage, and reducing maintenance needs, Y clevis eyes contribute to lower operational costs for MM POWERLINE TRANSMISSION.

### Conclusion

The Y clevis eye is an essential component of our transmission line hardware at MM POWERLINE TRANSMISSION. Its design and functionality are critical for ensuring the safety, reliability, and efficiency of our power delivery systems. As electricity demand continues to rise, maintaining a robust transmission infrastructure becomes increasingly important, underscoring the vital role of the Y clevis eye. Proper selection, installation, and maintenance of this component are essential for upholding the integrity of our transmission lines and meeting the electrical needs of our communities.



### BOQ

SL. NO	DESCRIPTION	QTY	MATERIAL
1	Y-CLEVIS EYE	1 NOS	HDG STEEL, FORGED STEEL
2	HEX BOLT	1 NOS	HDG STEEL
3	HEX NUT	1 NOS	HDG STEEL
4	ROUND WASHER	1 NOS	HDG STEEL
5	SPLIT PIN	1 NOS	STAINLESS STEEL

### TECHNICAL DATA

- ALL DIMENSIONS ARE IN MM.
- GENERAL TOLERANCE ±5% UNLESS OTHERWISE SPECIFIED.
- HOT DIP GALVANISED AS PER IS : 2633.

### Our Brands



### Contact Us

- Facebook
- Twitter
- Linkedin

### Quick Links

- Home
- About Us
- Career
- Contact Us

### Address

Office : 2D,N.S.Road,shantinagar Colony,Compact Appt., Block-B,Flat-G001,Liluah,Howrah-711 204,West Bengal,India  
 Factory : 58,N.S.Road,Lilauh,Howrah – 711204,West Bengal,India  
 +91 8961536500  
 sales@mmpt.in

