

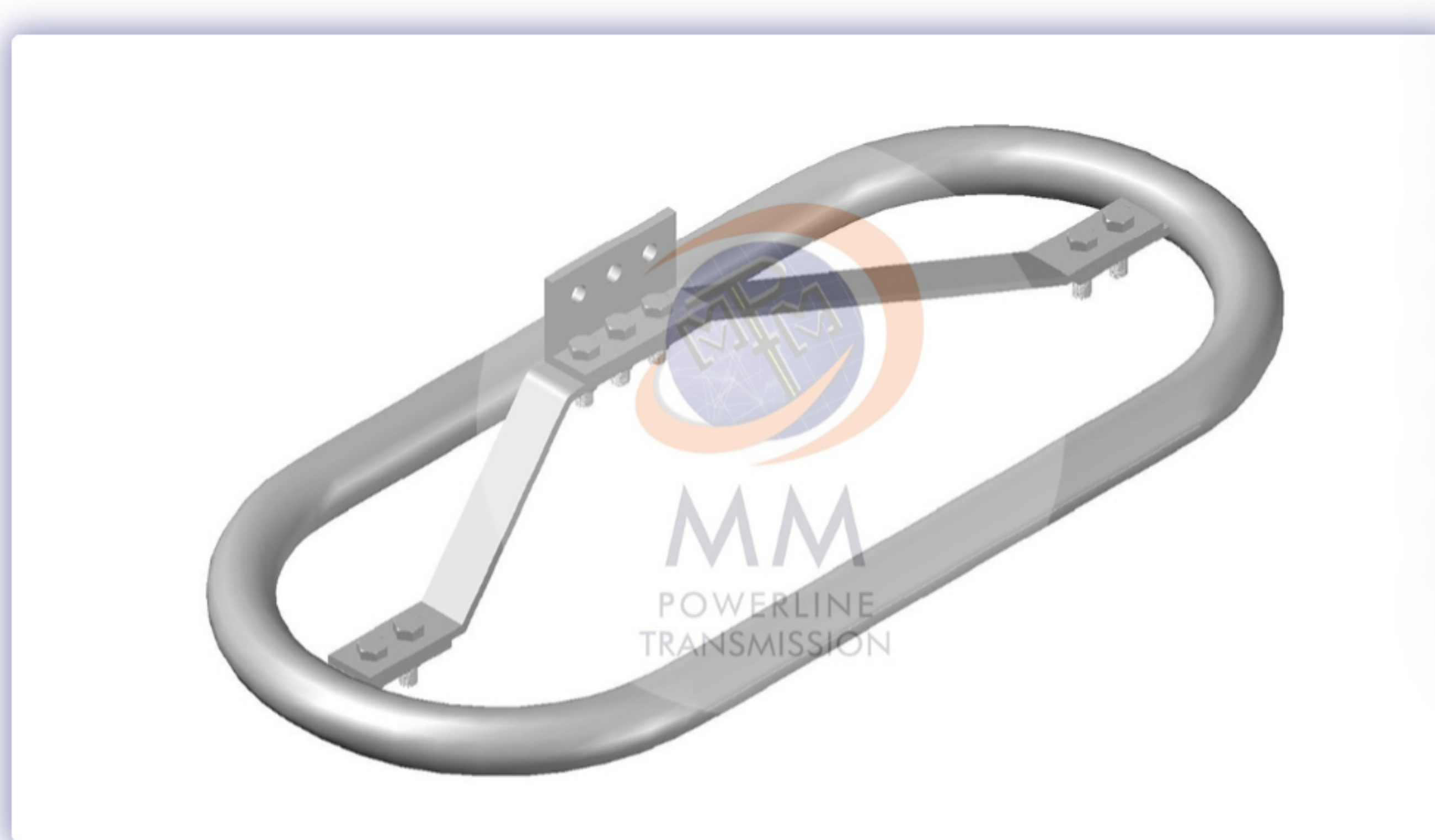


# Corona Ring OD-1100x500

Home » Corona Ring Type » corona Ring OD-1100x500

## Corona Ring OD-1100x500

Download Product details



### Other Product Quick Link

- TENSION FITTINGS-Compression Type
- TENSION FITTINGS-Bolted Type
- SUSPENSION FITTINGS AGS Type
- SUSPENSION FITTINGS-Envelope Type-With Armour Rod
- SUSPENSION FITTINGS-Envelope Type-Without Armour Rod
- SUSPENSION FITTINGS-Free Centre Type-With Armour Rod
- SUSPENSION FITTINGS-Free Centre Type-Without Armour Rod

At MM POWERLINE TRANSMISSION, we are committed to delivering safe, reliable, and efficient power transmission systems. One essential component that helps us achieve these goals is the Corona Ring (OD – 1100 x 500). This vital device helps reduce corona discharge, protect conductors and insulators, and maintain the stability of the transmission lines. In this article, we will explore the features, functions, and significance of the Corona Ring (OD – 1100 x 500) in our power transmission infrastructure.

#### What is a Corona Ring (OD – 1100 x 500)?

The Corona Ring (OD – 1100 x 500) is a specially designed component used to prevent corona discharge in overhead power transmission lines. Corona discharge occurs when the electric field around a conductor becomes strong enough to ionize the surrounding air, leading to energy loss, damage to system components, and reduced transmission efficiency. The Corona Ring (OD – 1100 x 500) smooths out the electric field around the conductor, minimizing the risk of corona discharge and enhancing the performance and longevity of the transmission system.

With an outer diameter of 1100mm and an inner diameter of 500mm, this specific corona ring is designed to fit medium voltage transmission lines, offering protection and efficiency for both smaller and medium-scale power systems.

#### Key Features

- Durable Construction:** The Corona Ring (OD – 1100 x 500) is made from high-quality materials, such as galvanized steel or stainless steel, which provide superior strength, corrosion resistance, and durability. This ensures long-lasting performance and protection, even under harsh environmental conditions.
- Efficient Design:** The design of the Corona Ring (OD – 1100 x 500) ensures an even and smooth distribution of the electric field around the conductor. This minimizes electrical stress and the occurrence of corona discharge, improving transmission efficiency and protecting critical components.
- Custom Fit:** With an outer diameter of 1100mm and an inner diameter of 500mm, the Corona Ring (OD – 1100 x 500) is precisely engineered to fit medium voltage transmission lines. This secure fit ensures the ring's protective function is fully maximized.
- Easy Installation:** Designed for quick and easy installation, the Corona Ring (OD – 1100 x 500) helps reduce setup time and maintenance costs, ensuring minimal disruption to the transmission system.

#### Functions of the Corona Ring (OD – 1100 x 500)

- Preventing Corona Discharge:** The primary function of the Corona Ring (OD – 1100 x 500) is to reduce the likelihood of corona discharge. By redistributing the electric field around the conductor, it minimizes the ionization of air, which helps prevent energy loss and improves system efficiency.
- Protecting Conductors and Insulators:** The Corona Ring (OD – 1100 x 500) provides crucial protection for both conductors and insulators. By reducing electrical stress and preventing corona-related damage, it helps extend the lifespan of these vital components and lowers maintenance requirements.
- Improving Transmission Efficiency:** By minimizing corona discharge, the Corona Ring (OD – 1100 x 500) enhances the overall efficiency of the transmission system, ensuring effective power delivery and reduced energy loss.
- Enhancing Safety:** The Corona Ring (OD – 1100 x 500) contributes to the safety of the transmission system by reducing the risk of electrical faults and potential failures. This ensures safer operation of power lines, protecting both personnel and equipment.

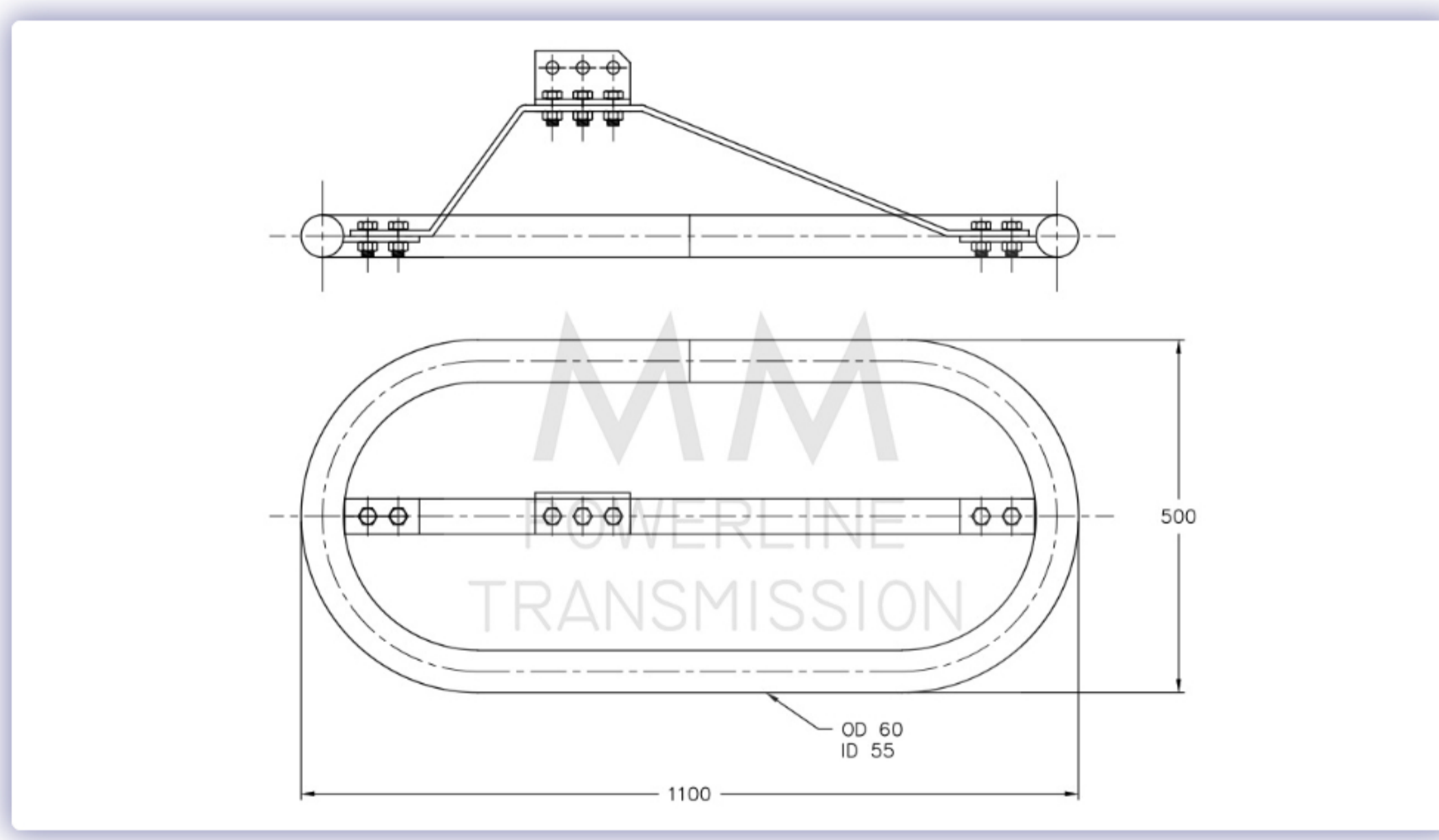
#### Importance in Transmission Line Systems

The Corona Ring (OD – 1100 x 500) is essential for the following reasons:

- Safety:** By preventing corona discharge and minimizing electrical faults, the Corona Ring (OD – 1100 x 500) reduces the risk of accidents, protecting both personnel and equipment from potential harm.
- Reliability:** The Corona Ring (OD – 1100 x 500) plays a critical role in maintaining the reliability of power transmission systems. It helps ensure the continuous and efficient operation of the transmission lines, supporting uninterrupted power delivery.
- Cost Efficiency:** The Corona Ring (OD – 1100 x 500) extends the lifespan of system components like insulators and conductors, reducing the need for frequent repairs and replacements. This helps lower operational and maintenance costs for MM POWERLINE TRANSMISSION.

#### Conclusion

The Corona Ring (OD – 1100 x 500) is a vital component in MM POWERLINE TRANSMISSION's infrastructure. Its function in preventing corona discharge, protecting critical components, and improving overall system efficiency is essential to the smooth operation of our power transmission network. As electricity demand increases, ensuring the stability, reliability, and efficiency of the transmission network becomes even more important. The Corona Ring (OD – 1100 x 500) is instrumental in achieving these goals, providing protection and enhancing the performance of transmission lines. Proper selection, installation, and maintenance of this component are crucial for ensuring the continued integrity and efficiency of our transmission lines, helping to meet the growing energy needs of our communities.



#### BOQ

SL. NO	DESCRIPTION	QTY	MATERIAL
1	CORONA RING	1 NOS	AL.ALLOY
2	BRACKET	1 NOS	AL.ALLOY/HDG STEEL
3	BOLT	7 NOS	HDG STEEL
4	NUT	7 NOS	HDG STEEL
5	ANGLE	1 NOS	HDG STEEL
6	FLAT	2 NOS	HDG STEEL

#### TECHNICAL DATA

- ALL DIMENSIONS ARE IN MM.
- GENERAL TOLERANCE ±5% UNLESS OTHERWISE SPECIFIED.
- FERROUS PART HOT DIP GALVANISED AS PER IS : 2633.
- CORONA RING & BRACKET AL. ALLOY

#### Our Brands



#### Contact Us

- Facebook
- Twitter
- LinkedIn

#### Quick Links

- Home
- About Us
- Career
- Contact Us

#### Address

Office : 2D,N.S.Road,shantinagar Colony,Compact Appt., Block-B,Flat-G001,Liluah,Howrah-711 204,West Bengal,India

Factory : 5B,N.S.Road,Liluah,Howrah – 711204,West Bengal,India

+91 8961536500 sales@mmpt.in

