

Socket Clevis Horn Holder

[Home](#) » [Socket Type](#) » [Socket Clevis Horn Holder](#)

Socket Clevis Horn Holder

[Download Product details](#)

Other Product Quick Link

[TENSION FITTINGS-Compression Type](#)[TENSION FITTINGS-Bolted Type](#)[SUSPENSION FITTINGS AGS Type](#)[SUSPENSION FITTINGS-Envelope Type-With Armour Rod](#)[SUSPENSION FITTINGS-Envelope Type-Without Armour Rod](#)[SUSPENSION FITTINGS-Free Centre Type-With Armour Rod](#)[SUSPENSION FITTINGS-Free Centre Type-Without Armour Rod](#)

At MM POWERLINE TRANSMISSION, we are dedicated to ensuring the safety and efficiency of our power transmission systems. A vital component that supports this mission is the socket clevis horn holder. This essential piece of hardware plays a significant role in securing conductors and enhancing the stability of our overhead power lines. In this article, we will explore the features, functions, and importance of the socket clevis horn holder in our transmission line infrastructure.

What is a Socket Clevis Horn Holder?

The socket clevis horn holder is a specialized fitting used in overhead power transmission lines. It is designed to provide secure connections between conductors and insulators or cross arms. This robust holder ensures proper alignment and load distribution, enhancing the overall stability of the transmission system.

Key Features

- 1. Durable Construction:** Socket clevis horn holders are manufactured from high-strength materials such as galvanized steel or stainless steel, ensuring they can withstand harsh environmental conditions and resist corrosion.
- 2. Robust Design:** The design provides excellent load-bearing capacity, making it suitable for a variety of applications within transmission line systems.
- 3. Ease of Installation:** Socket clevis horn holders can be quickly and easily attached to different support structures, facilitating efficient setup and maintenance for our utility teams.
- 4. Versatility:** These holders are compatible with a wide range of conductor sizes and types, making them adaptable for diverse configurations in our transmission line systems.

Functions of the Socket Clevis Horn Holder

- 1. Secure Connection:** The primary function of the socket clevis horn holder is to provide a stable and secure attachment point for conductors, ensuring they remain properly fastened under varying conditions.
- 2. Load Management:** The robust design helps evenly distribute loads across the transmission structure, minimizing the risk of localized stress and potential failure.
- 3. Facilitating Alignment:** The socket clevis horn holder ensures proper alignment of conductors and supports, which is essential for maintaining system integrity.
- 4. Enhancing Safety:** By ensuring secure connections, socket clevis horn holders significantly reduce the risk of electrical accidents, protecting both personnel and equipment.

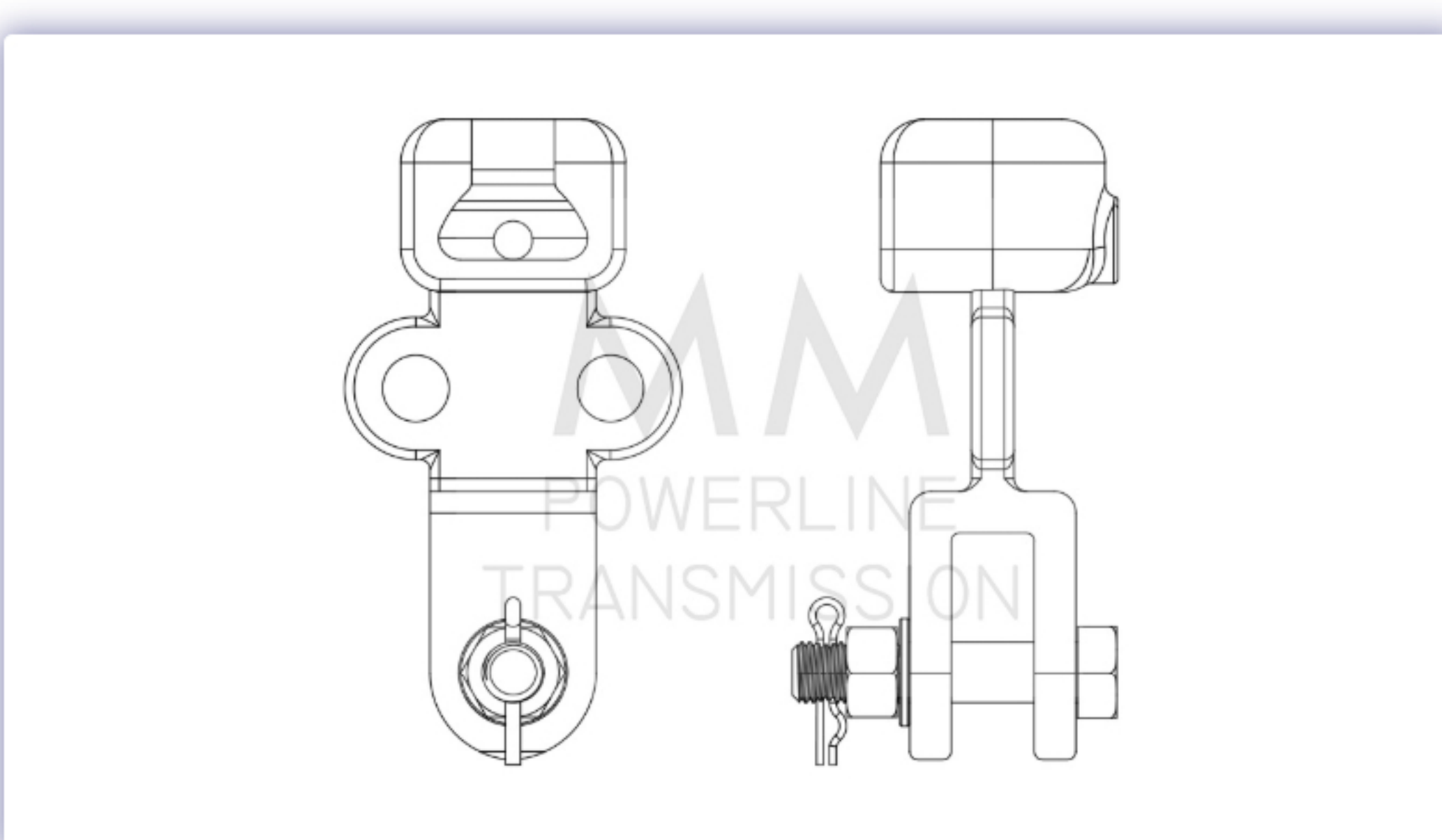
Importance in Transmission Line Systems

The socket clevis horn holder is vital for several reasons:

- **Safety:** By providing secure connections for conductors, socket clevis horn holders help minimize the risk of electrical failures and accidents, safeguarding both personnel and equipment.
- **Reliability:** Consistent power delivery relies on robust transmission lines. High-quality components like socket clevis horn holders enhance the overall reliability of our systems.
- **Cost Efficiency:** By preventing wear and damage and reducing maintenance needs, socket clevis horn holders contribute to lower operational costs for MM POWERLINE TRANSMISSION.

Conclusion

The socket clevis horn holder is an essential component of our transmission line hardware at MM POWERLINE TRANSMISSION. Its design and functionality are critical for ensuring the safety, reliability, and efficiency of our power delivery systems. As electricity demand continues to rise, maintaining a robust transmission infrastructure becomes increasingly important, underscoring the vital role of the socket clevis horn holder. Proper selection, installation, and maintenance of this component are essential for upholding the integrity of our transmission lines and meeting the electrical needs of our communities.



BOM

SL. NO	DESCRIPTION	QTY	MATERIAL
1	SOCKET CLEVIS HORN HOLDER	1 NOS	HDG STEEL, FORGED STEEL
2	HEX BOLT	1 NOS	HDG STEEL
3	HEX NUT	1 NOS	HDG STEEL
4	ROUND WASHER	1 NOS	HDG STEEL
5	SPLIT PIN	1 NOS	STAINLESS STEEL

TECHNICAL DATA

1. ALL DIMENSIONS ARE IN MM.
2. GENERAL TOLERANCE ±5% UNLESS OTHERWISE SPECIFIED.
3. HOT DIP GALVANISED AS PER IS : 2633.

Our Brands



Contact Us

[Facebook](#)
[Twitter](#)
[Linkedin](#)

Quick Links

[Home](#)
[About Us](#)
[Career](#)
[Contact Us](#)

Address

Office : 2D.N.S.Road,shantinagar Colony,Compact Appt., Block-B,Flat-G001,Liluah,Howrah-711 204,West Bengal,India

Factory : 58,N.S.Road,Lilauh,Howrah – 711204,West Bengal,India

[+91 8961536500](tel:+918961536500)
sales@mmpt.in

